



Mastercycler[®] ep *realplex*

Software Installation and Operating Instructions

eppendorf

Table of contents

1	Warranty / Liability	3
2	System requirements	4
3	Installation	5
3.1	Setting up the device	5
3.2	Startup	7
3.2.1	Connection of <i>realplex</i> module to thermo module	7
3.2.2	Installation of <i>realplex</i> software	9
3.2.3	Restore database	11
3.2.4	Start the <i>realplex</i> software	11
4	Troubleshooting	12

1 Warranty / Liability

Our software is written with the greatest possible care and attention.

However, based on the present state of the art it is not always possible to write software such that it definitely runs without error in all applications and combinations.

Eppendorf warrants that at the point of handover the data carrier on which the software is stored and the supplied documentation are materially free of error.

If the carrier or supplied documentation should nonetheless contain errors the licensee may demand replacement within a warranty period of 12 month.

Any further warranty claims shall be expressly excluded.

In particular, no guarantee can be given that the software will run together with other programs selected by the licensee.

Nor can liability be accepted for any damage or consequential loss which may be suffered (such as loss of profit, interruption of business, loss of information or data).

Caution: By installing the *realplex* software and associated components, you accept the enclosed license agreement!

Attention: Do not use any programs which require major parts of the computers capacity (e.g. CD Creator, Media Player) during usage of the *realplex* software!

Attention: Never run Mastercycler ep *realplex* with computer in battery mode! Change the settings for the power supply of the computer to be sure that it will not switch to the standby mode during an ongoing assay.

2 System requirements

Computer hardware requirements

- AMD Athlon / Intel Pentium III @ 1.0 GHz, min. 512 MB RAM
- 4 GB hard-disk storage (up to 1 GB required for software and database)
- USB 1.0/1.1 or USB 2.0 connector
- CD-ROM writer + software for writing CDs (integrated or external)
- PCAN USB ISO adapter, firmware 4.2 (standard accessories)
- Printer driver installed

Requirement on operating system of computer

- Windows XP (Home Edition or higher)

Optional for a network environment:

- Network card for connection to additional workstation computers
- Installation of a TCP/IP network

3 Installation

3.1 Setting up device

The safety precautions and installation instructions in the operation manual of the Mastercycler ep *realplex* must be observed.

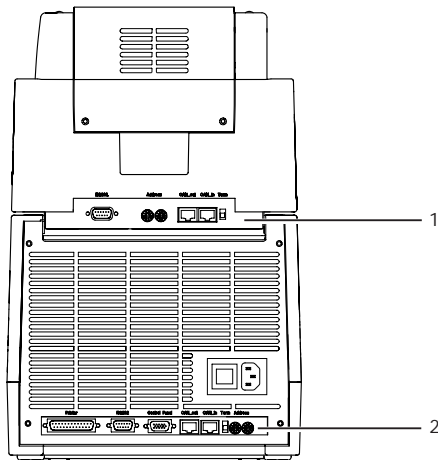


Figure 1: Rear view

- 1 Connection strip of *realplex* module
- 2 Connection strip of thermo module

3 Installation

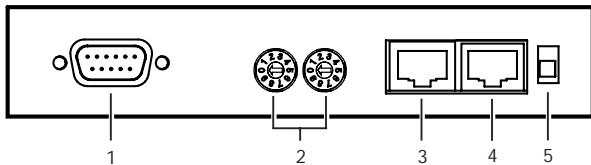


Figure 2: Connection strip of *realplex* module

- | | |
|----------------------------------|--------------------------|
| 1 RS232: serial interface | 4 CAN_in |
| 2 Address: rotary switch Address | 5 Term: final resistance |
| 3 CAN_out | |

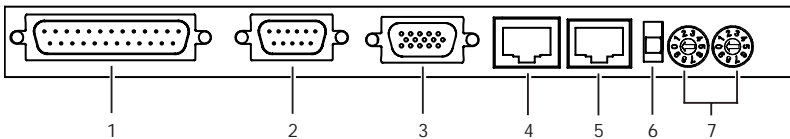


Figure 3: Connection strip of thermo module

- | | |
|------------------------------------------------------------------------------------------------------|----------------------------------|
| 1 Printer: parallel interface | 4 CAN_out |
| 2 RS232: serial interface | 5 CAN_in |
| 3 Control panel: connection of control panel
(not necessary for Mastercycler ep <i>realplex</i>) | 6 Term: final resistance |
| | 7 Address: rotary switch Address |

Note: Only devices complying with the standards EN/IEC 60950 and UL 60950A should be connected to the interfaces.

3 Installation

3.2 Startup

3.2.1 Connection of *realplex* module to thermo module

The safety precautions and installation instructions in the operation manual of the Mastercycler ep *realplex* must be observed.

CAN_out



Connect the CAN bus connecting cable to the CAN_out connection of the thermo module.

CAN_in



Connect the free end of the CAN bus connecting cable to the CAN_in connection of the *realplex* module.

Term



ON

Set the Term switch at the rear of the *realplex* module to ON and that of the thermo module to OFF.

Address



Move "Address" on the *realplex* module using the rotary switches **Address** at the rear of the *realplex* module to the setting 11. The arrowheads of both rotary switch are each set to 1. The "Address" on the thermo module is set to 02 (arrowhead of the left-hand rotary switch set to 0 and the arrowhead of the right-hand rotary switch set to 2).

Note: Make sure that the right addresses are allocated so that after switch-on of the devices they are detected automatically by the software and shown in the software display.

CAN_in



Connect the PC CAN bus to the CAN_in connection of the thermo module.

3 Installation

Connect the free end of the PC CAN bus cable to the USB CAN adapter. Connect the USB CAN adapter to the USB interface of the computer. Before switching on the device check that the correct mains voltage is available for the device. Compare the data on the identification plate. Connect the mains power cable to the thermo module and then connect to the mains power supply. The mains power supply of the *realplex* module is via the connected thermo module.

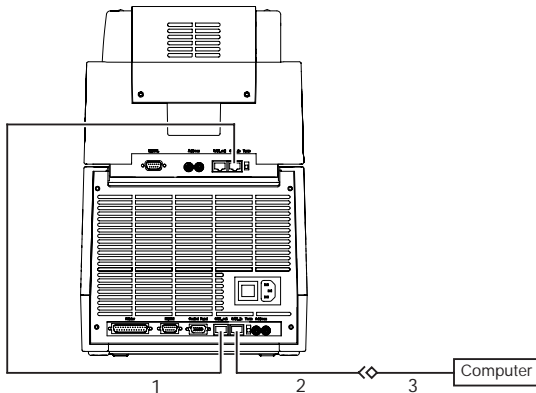


Figure 7: Mastercycler ep *realplex* with connecting cables

- 1 CAN bus cable
- 2 PC CAN bus cable
- 3 USB CAN adapter

3 Installation

3.2.2 Installation of *realplex* software

Main installation procedure

First close all programs that are currently running on your computer. Insert your Peak USB CAN adapter into the USB port. A few seconds later a hardware installation wizard appears.



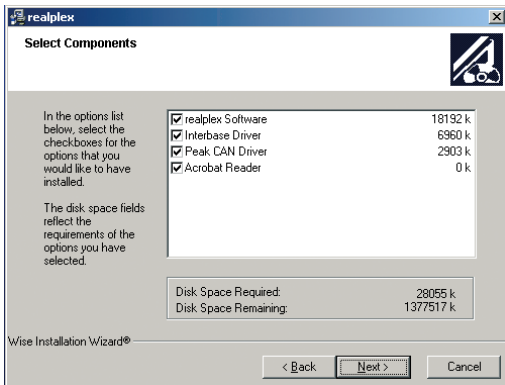
Close wizard with **Cancel**.

Note: Do not remove the Peak USB CAN adapter until the installation is complete!

Attention: For correct installation of the *realplex* software computer administration rights are highly recommended!

3 Installation

Now insert the **realplex** CD-Rom, and start **Setup.exe** in the CD-Rom directory (if Autorun is active, the setup will start automatically). Then the software will ask you for the components you wish to install:



Continue with **Next**. Several windows will pop up to the screen, accept the default settings with **Next**, **Yes**, **Install** and **Finish**, respectively. When the installation is complete, restart the computer.

Now you will find the new group Eppendorf in the startup menu, from where you can start the software you have installed.

3 Installation

3.2.3 Restore database

If the *realplex* software is installed the first time on startup, the software will recognize that no database is available and will start automatically the Database Tool. Just accept the default settings given on the sheet **Restore Database**, and press the button Start Restore. When restore has finished the *realplex* software can be started by pressing the button **Start realplex** on the topright position.

If *realplex* software has already been installed earlier, a restore of the database will not be necessary, because the existing database from the earlier installation can be used.

3.2.4 Start the *realplex* software

Switch on Mastercycler ep *realplex* and wait until the LED on the top switches to green. Now you are ready to start the *realplex* software.

You also may start the *realplex* software with the cyclor switched off or even with no cyclor hardware at all. In each of these cases an error message will be displayed. Ignore the message and continue.

4 Troubleshooting

Error	Cause	Solution
Program doesn't start correctly.	Wrong setting of address (<i>realplex</i> and / or thermo module)	Set address of <i>realplex</i> module to 11 / thermo module to 02.
	No PC CAN bus cable / USB CAN adapter PEAK present	Repeat installation with correct cables.
	Not all software components are installed	Repeat installation with all software components.
	Insufficient capacity of hard disk	Assure sufficient hard disk capacity (in general at least 1 GB).



Your local distributor: www.eppendorf.com/worldwide

Eppendorf AG · 22331 Hamburg · Germany · Tel: +49 40 538 01-0 · Fax: +49 40 538 01-556
E-Mail: eppendorf@eppendorf.com

Eppendorf North America, Inc. · One Cantiague Road · P.O. Box 1019
Westbury, N.Y. 11590-0207 · USA · Tel: +1 516 334 7500 · Toll free phone: +1 800 645 3050
Fax: +1 516 334 7506 · E-Mail: info@eppendorf.com

Application Support

Europe, International: Tel: +49 1803 666 789 · E-Mail: support@eppendorf.com
North America: Tel: +1 800 645 3050 ext. 2258 · E-Mail: support_na@eppendorf.com
Asia Pacific: Tel: +60 3 8023 6869 · E-Mail: support_asiapacific@eppendorf.com