

## 12 Ordering information

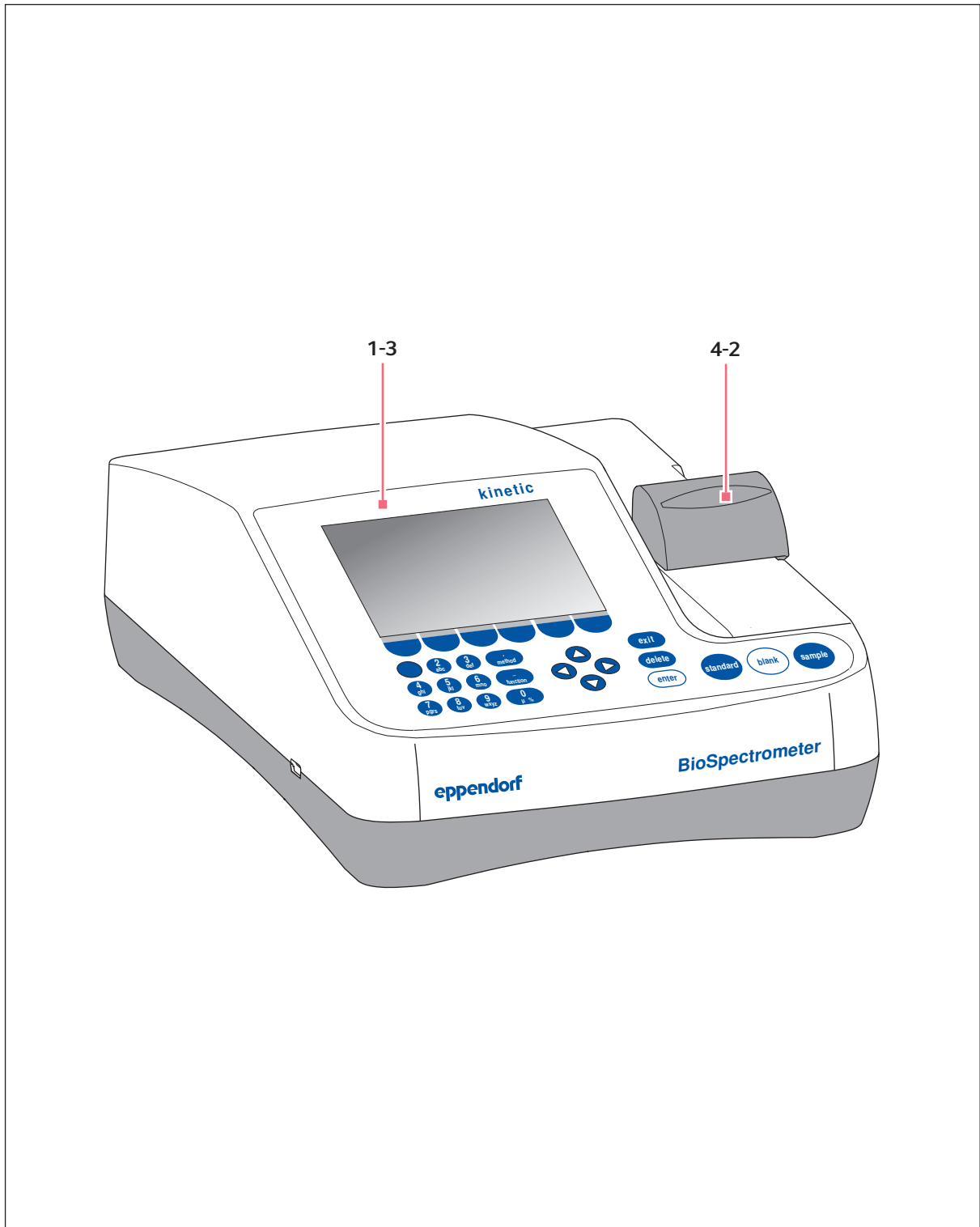


Fig. 12-1: BioSpectrometer with closed housing

**Ordering information**

Eppendorf BioSpectrometer® 6135/6136/6137  
English (EN)

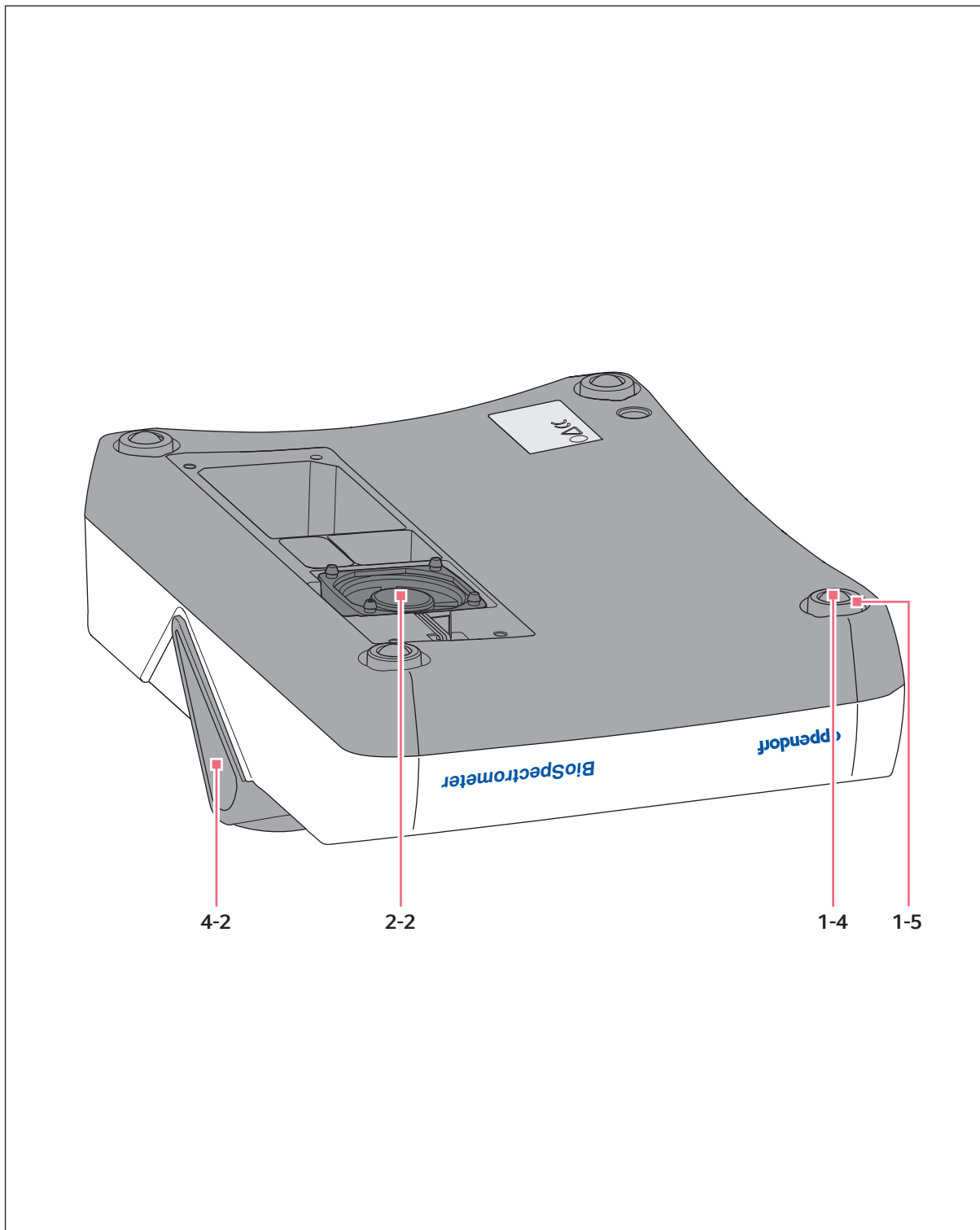


Fig. 12-2: BioSpectrometer view from below

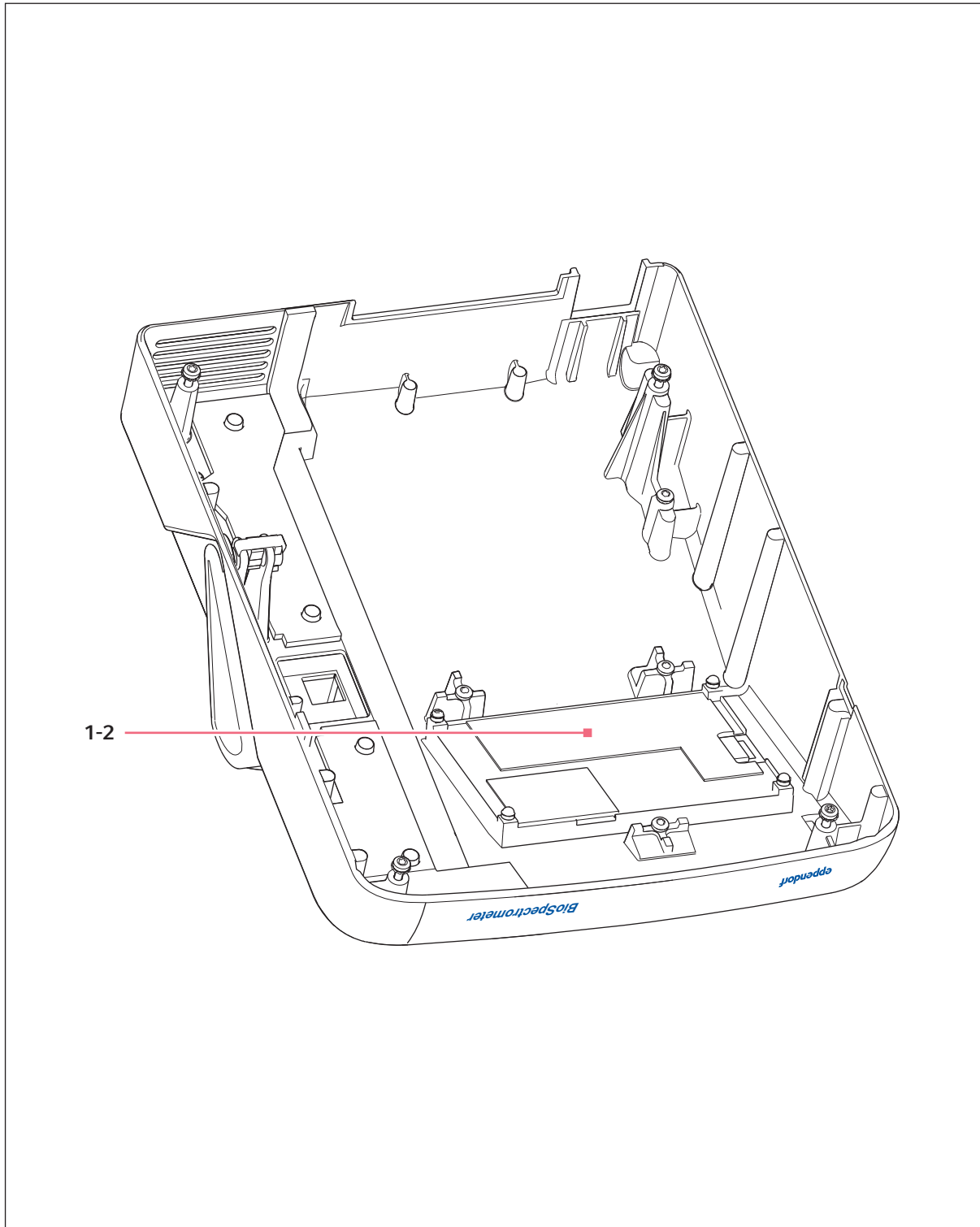


Fig. 12-3: BioSpectrometer upper part of housing

**Ordering information**

Eppendorf BioSpectrometer® 6135/6136/6137  
English (EN)

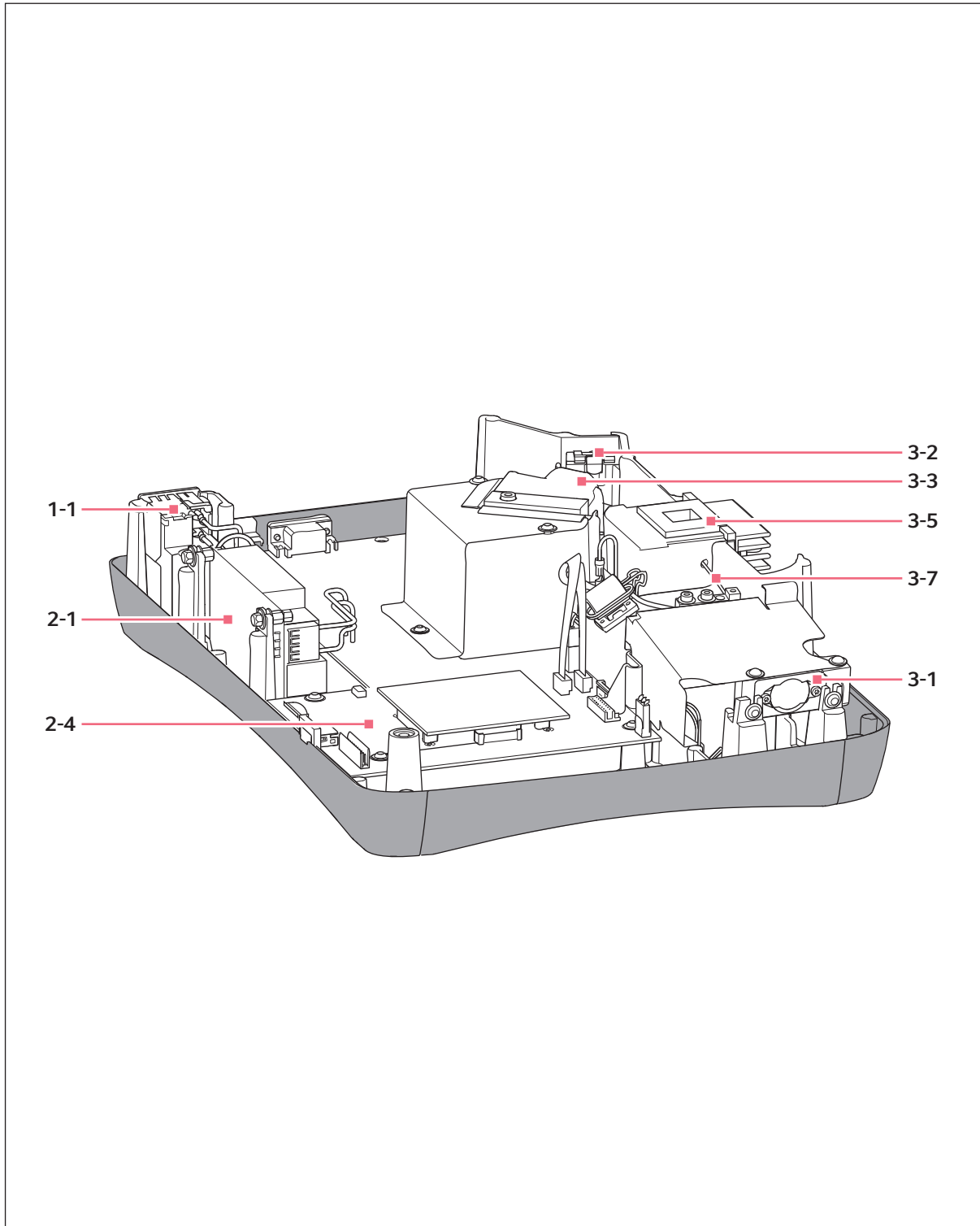


Fig. 12-4: BioSpectrometer with dismantled housing

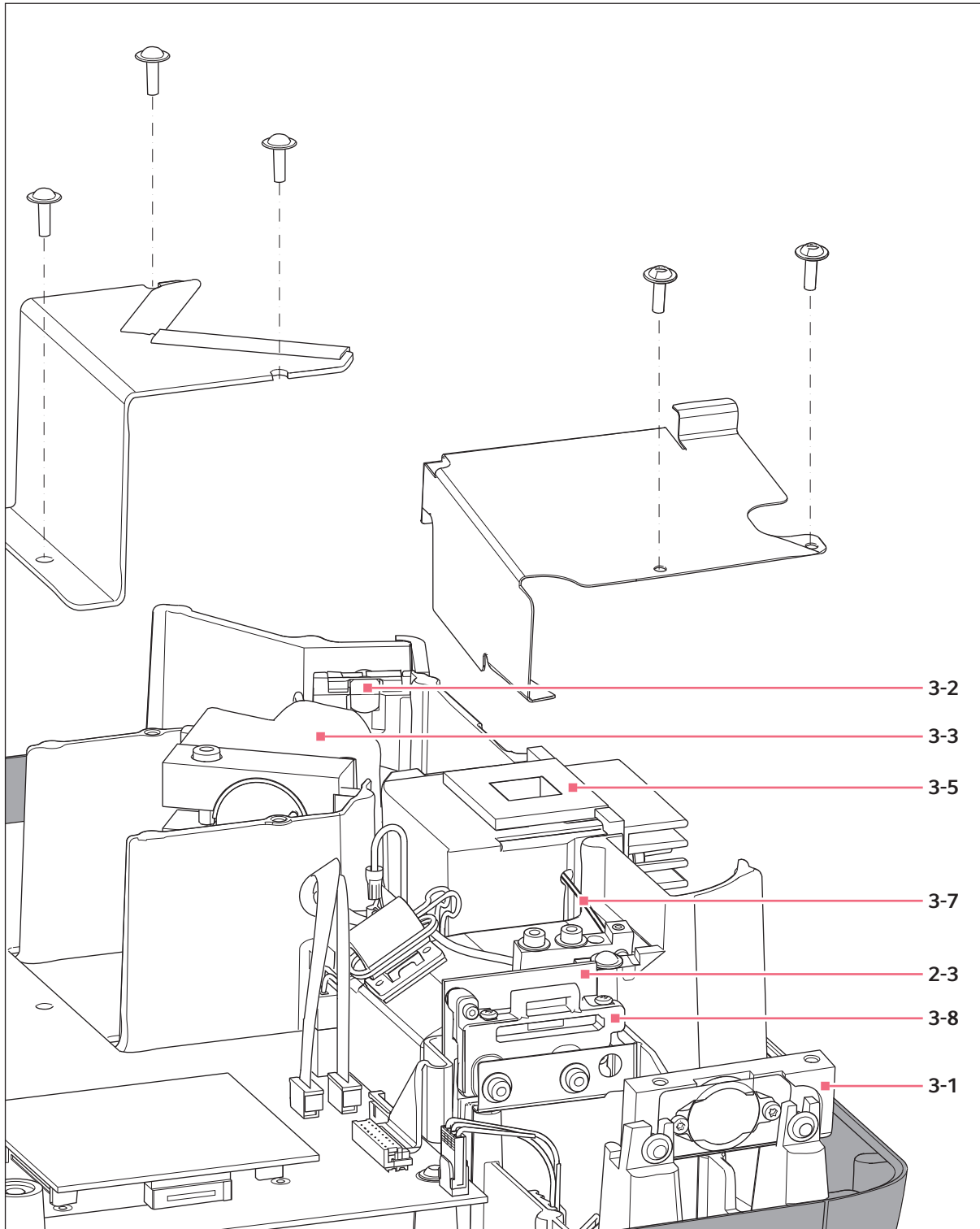


Fig. 12-5: BioSpectrometer with dismantled housing

**Ordering information**

Eppendorf BioSpectrometer® 6135/6136/6137  
English (EN)

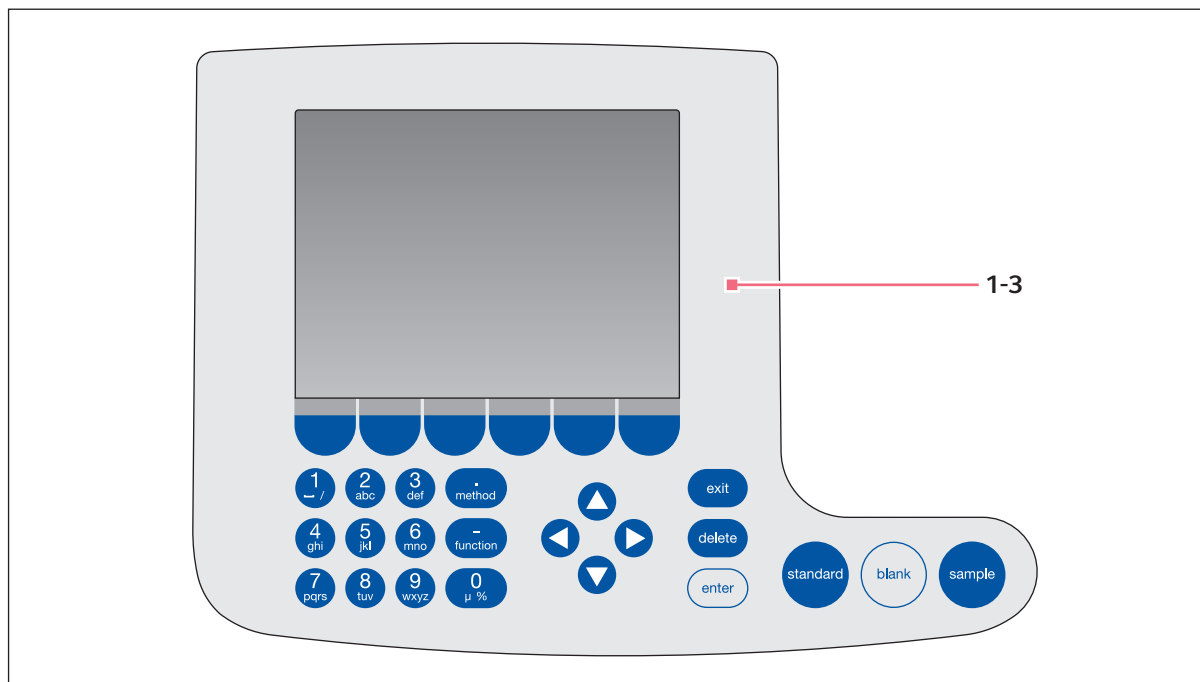


Fig. 12-6: BioSpectrometer keypad

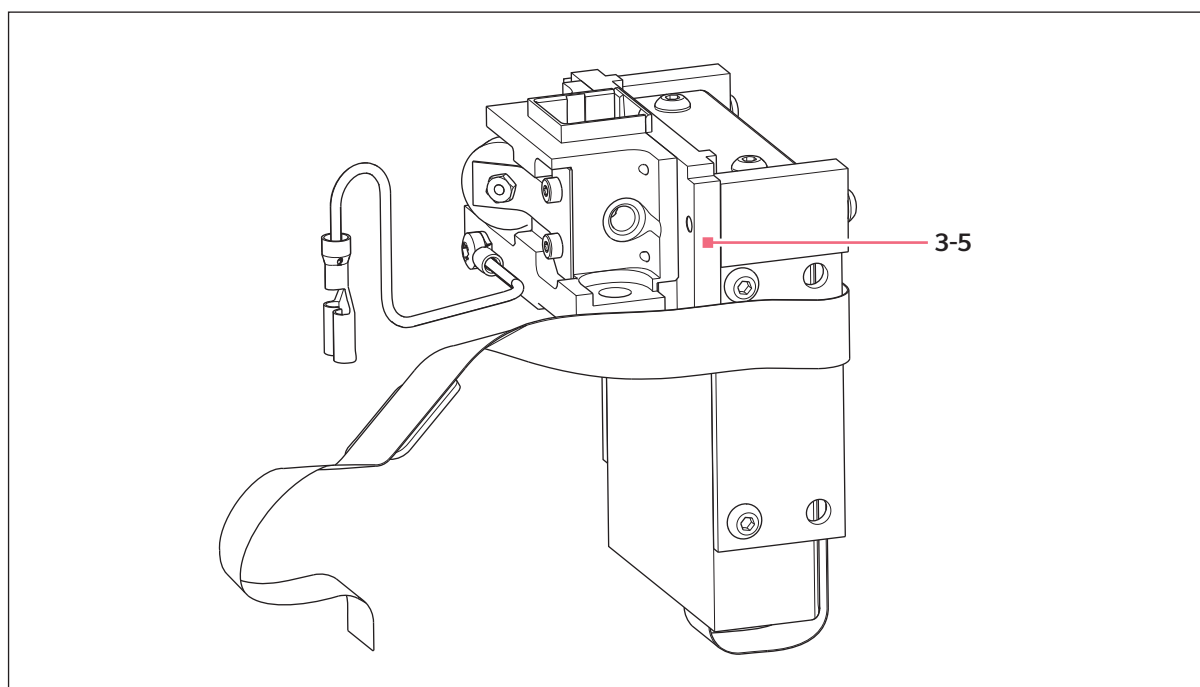


Fig. 12-7: BioSpectrometer fluorescence cuvette holder

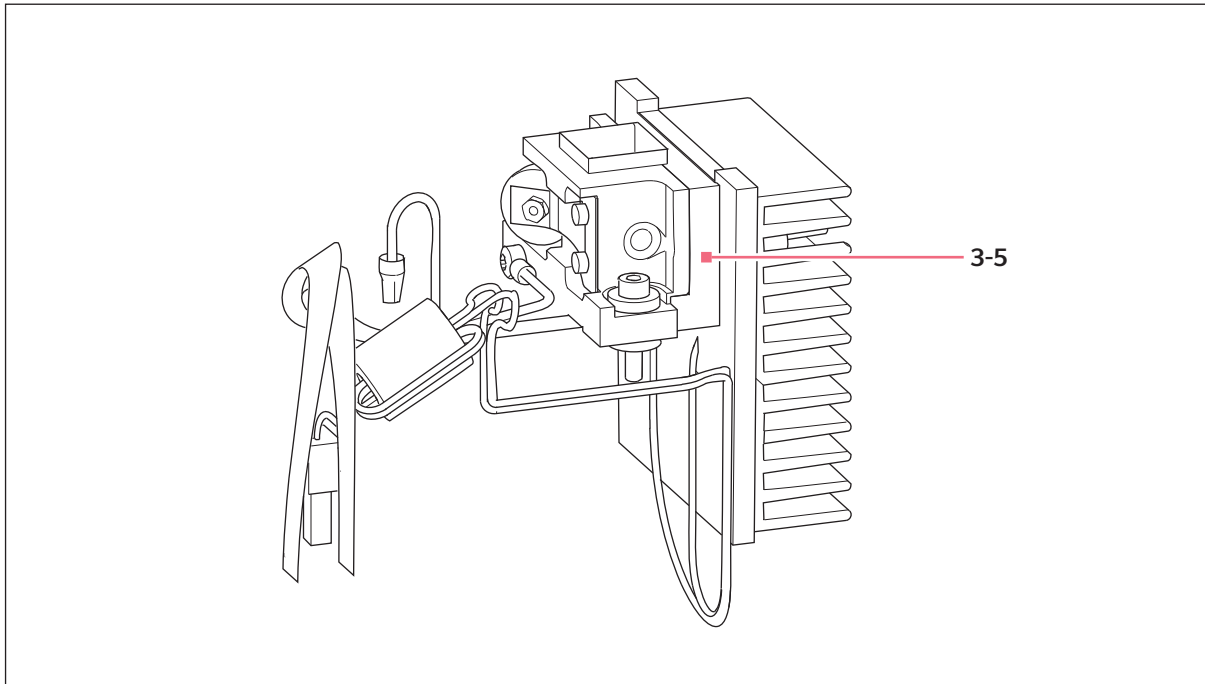


Fig. 12-8: BioSpectrometer kinetic cuvette holder

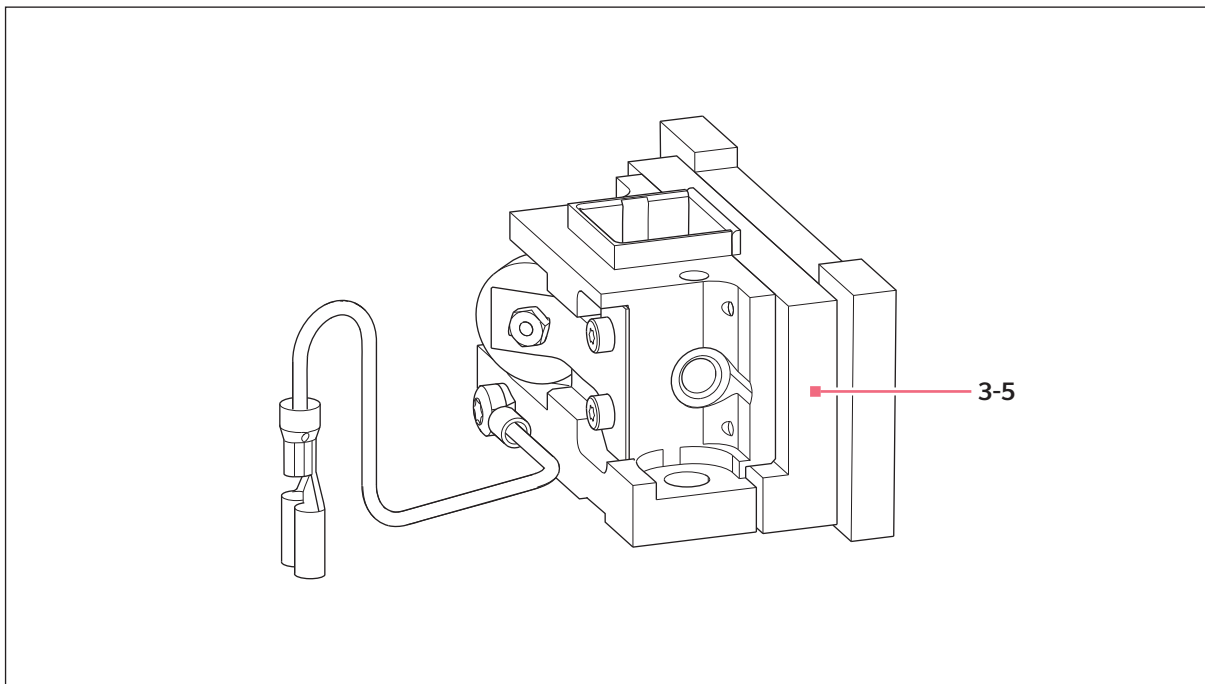


Fig. 12-9: BioSpectrometer basic cuvette holder

**Ordering information**

Eppendorf BioSpectrometer® 6135/6136/6137  
English (EN)

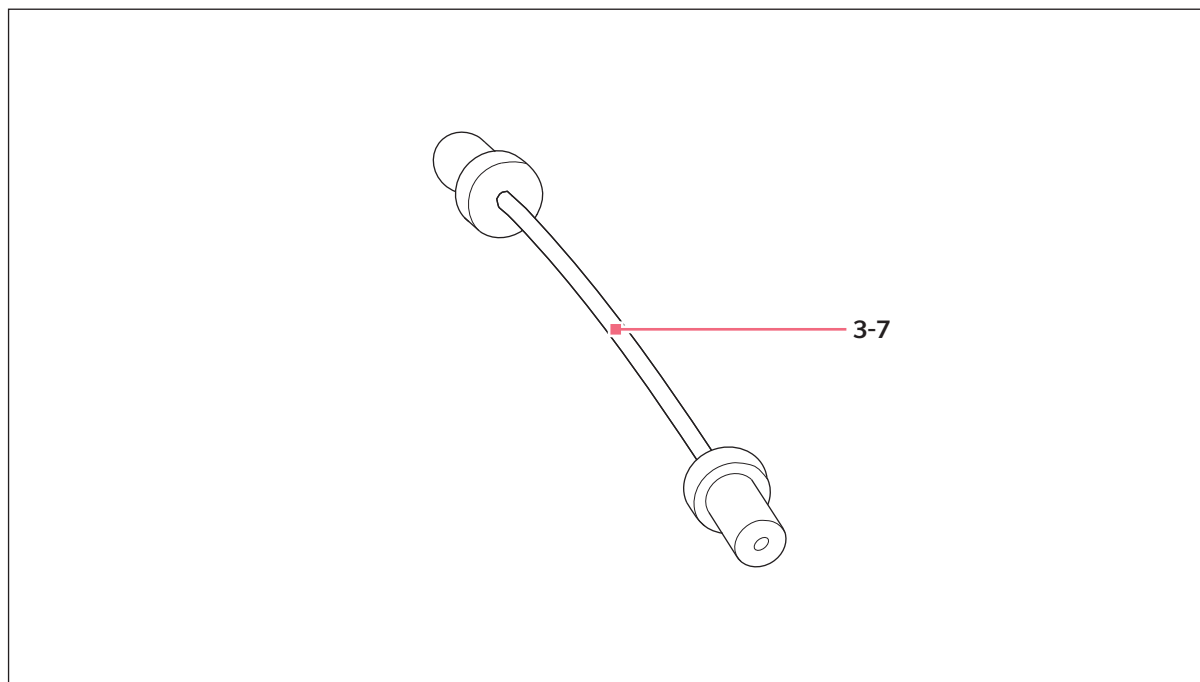


Fig. 12-10: BioSpectrometer fiber optic cable

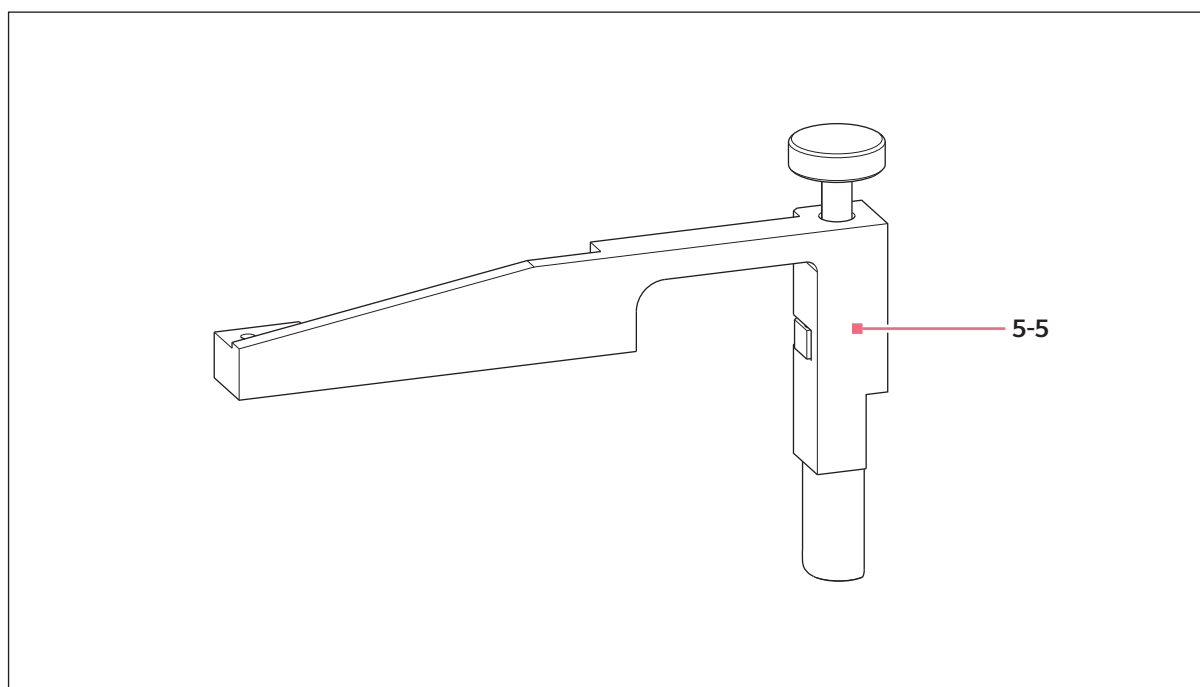


Fig. 12-11: Cuvette shaft adjustment tool



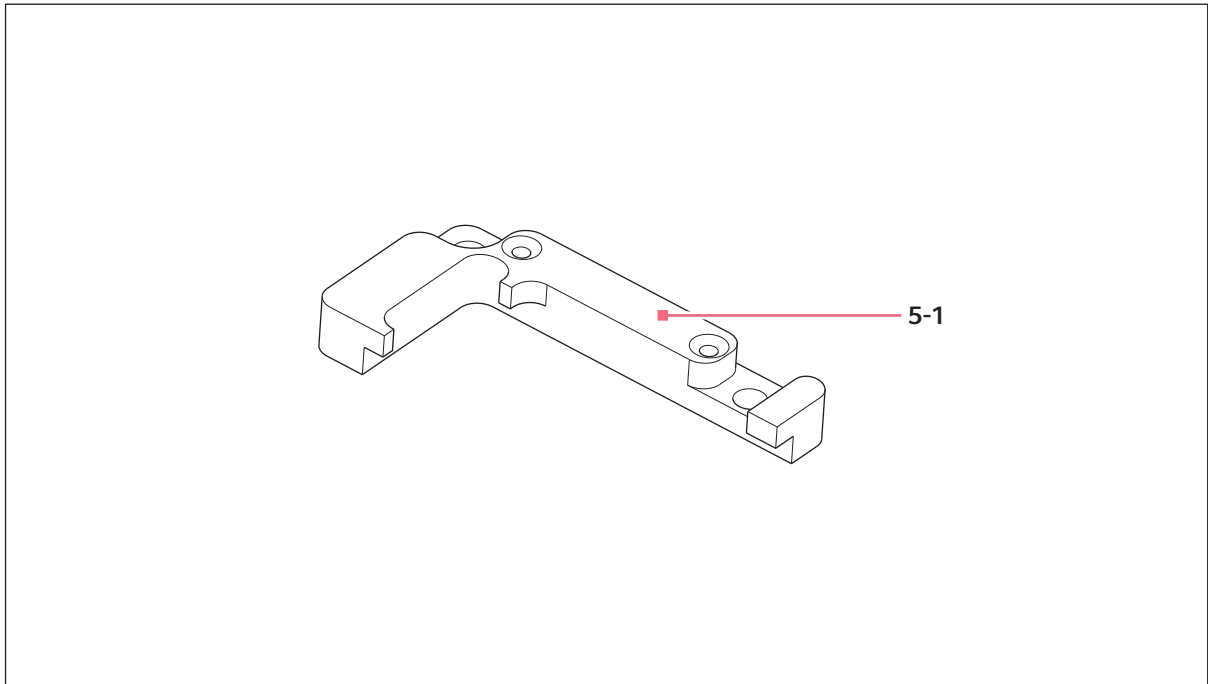


Fig. 12-12: Lamp adjustment tool

## 12.1 Spare parts

### 12.1.1 Housing

Fig.	Item	Order no. (International)	Description
—	1-1	6135 852.005	<b>Mains input module</b>
12-3	1-2	6135 854.008	<b>display cpl., incl. Cable</b>
12-1	1-3	6135 861.004	<b>Keypad</b> 6135 basic
12-1	1-3	6136 861.008	6136 kinetic
12-1	1-3	6137 861.001	6137 fluorescence
12-2	1-4	5355 863.001	<b>Spherical foot</b> set of 4
12-2	1-5	5353 861.001	<b>Spherical support</b> dark, set of 4
-	1-6	6135 873.002	<b>Upper part of housing without keypad</b>

**Ordering information**

Eppendorf BioSpectrometer® 6135/6136/6137  
English (EN)

## 12.1.2 Electrical/electronic equipment

Fig.	Item	Order no. (International)	Description
12-4	2-1	6135 853.001	<b>Switched power supply unit</b>
12-2	2-2	6136 852.009	<b>Fan</b> DC
12-5	2-3	6135 855.004	<b>PCB sensor</b>
12-4	2-4	6136 859.003	<b>PCB BioSpectrometer</b>

## 12.1.3 Light path

Fig.	Item	Order no. (International)	Description
12-4	3-1	6135 865.107	<b>Diffraction grating with holder,incl. Mirror</b>
12-4	3-2	6135 866.103	<b>Mirror</b>
12-4	3-3	6135 864.003	<b>Lampholder cpl. ,pre-adjusted</b> incl. reference diode
—	3-4	6135 869.005	<b>Cuvette shaft insulation</b> basic / kinetic
12-8	3-5	6135 851.009	<b>cuvette holder</b> basic
12-7	3-5	6136 851.002	kinetic
12-12	3-5	6137 851.006	fluorescence
12-9	3-7	6135 856.000	<b>fiber-optic cable</b>
12-5	3-8	6135 857.104	<b>Photo diode array,incl. Mirror</b>

## 12.1.4 Accessories

Fig.	Item	Order no. (International)	Description
—	4-1	6135 867.002	<b>Packing</b>
12-1	4-2	6135 872.006	<b>cuvette shaft cover</b> 6135 basic / kinetic
12-1	4-2	6137 872.003	6137 fluorescence

### 12.1.5 Auxiliary aids

Fig.	Item	Order no. (International)	Description
12-10	5-1	6135 868.009	<b>Adjustment tool</b> Lampe
12-11	5-5	6135 871.000	cuvette shaft
—	5-2	6135 931.002	<b>test filter kit</b>
—	5-3	6137 935.005	<b>Test filter</b> fluorescence
—	5-4	5075 851.563	<b>RS 232 Dummy</b>
—	5-6	6137 935.102	<b>Certification test filter set</b> fluorescence
—	5-7	6135 931.100	<b>Certification test filter kit</b>
—	5-8	6135 870.003	<b>Temperature sensor</b> for BioSpectrometer kinetic



Add the holmium filter and didymium filter material safety data sheets to the test filter kit (art. no. 6135 931.002). The material safety data sheets can be found in the product area of the <http://www.eppendorf-support.com> website.



Always use the test filter kit (art. no. 6135 931.002) in the original packaging.