

Mastercycler® ep realplex 6302 – 7 Spare parts list

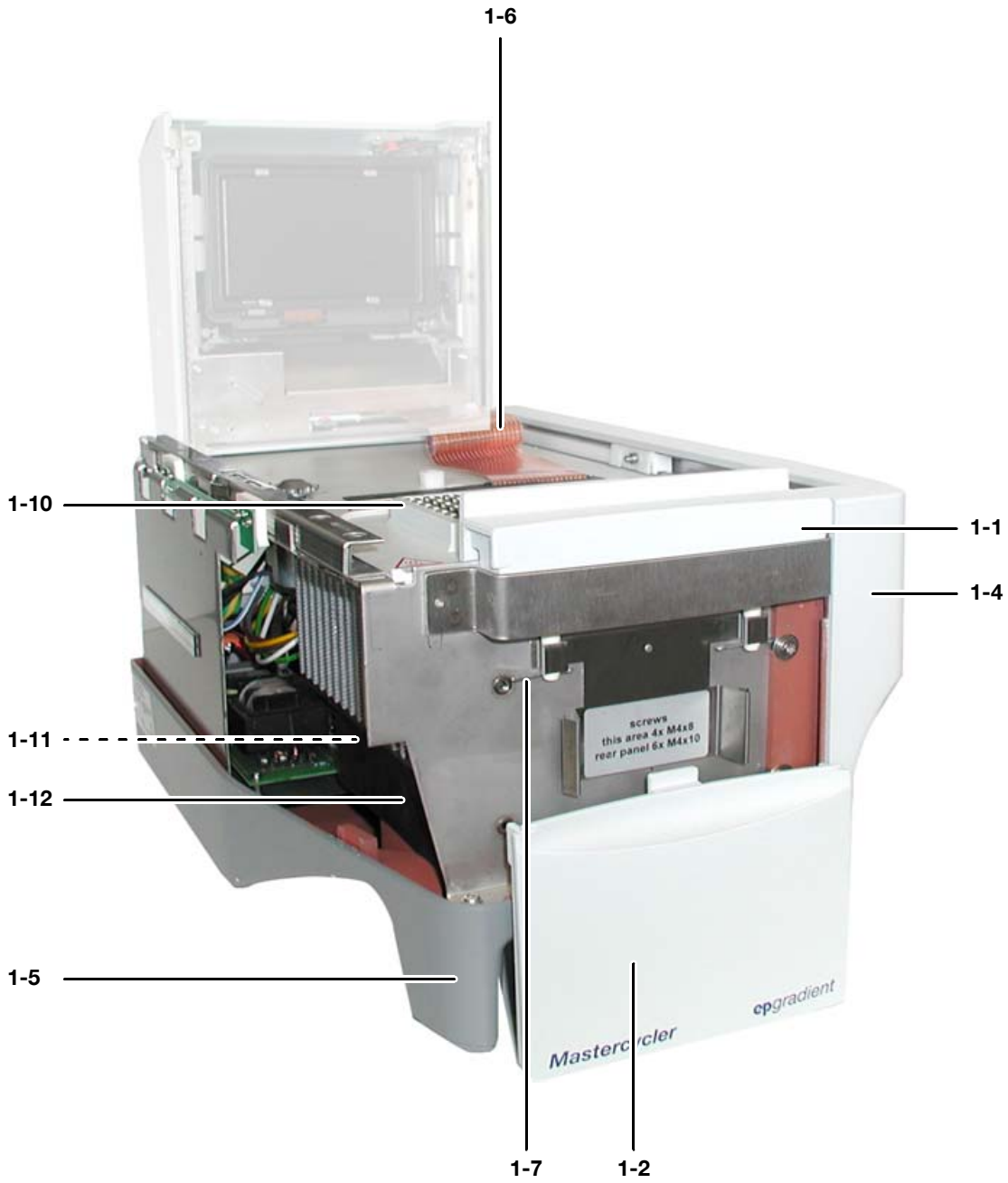


Fig. 1

Mastercycler® ep realplex 6302 – 7 Spare parts list

7 Spare parts list

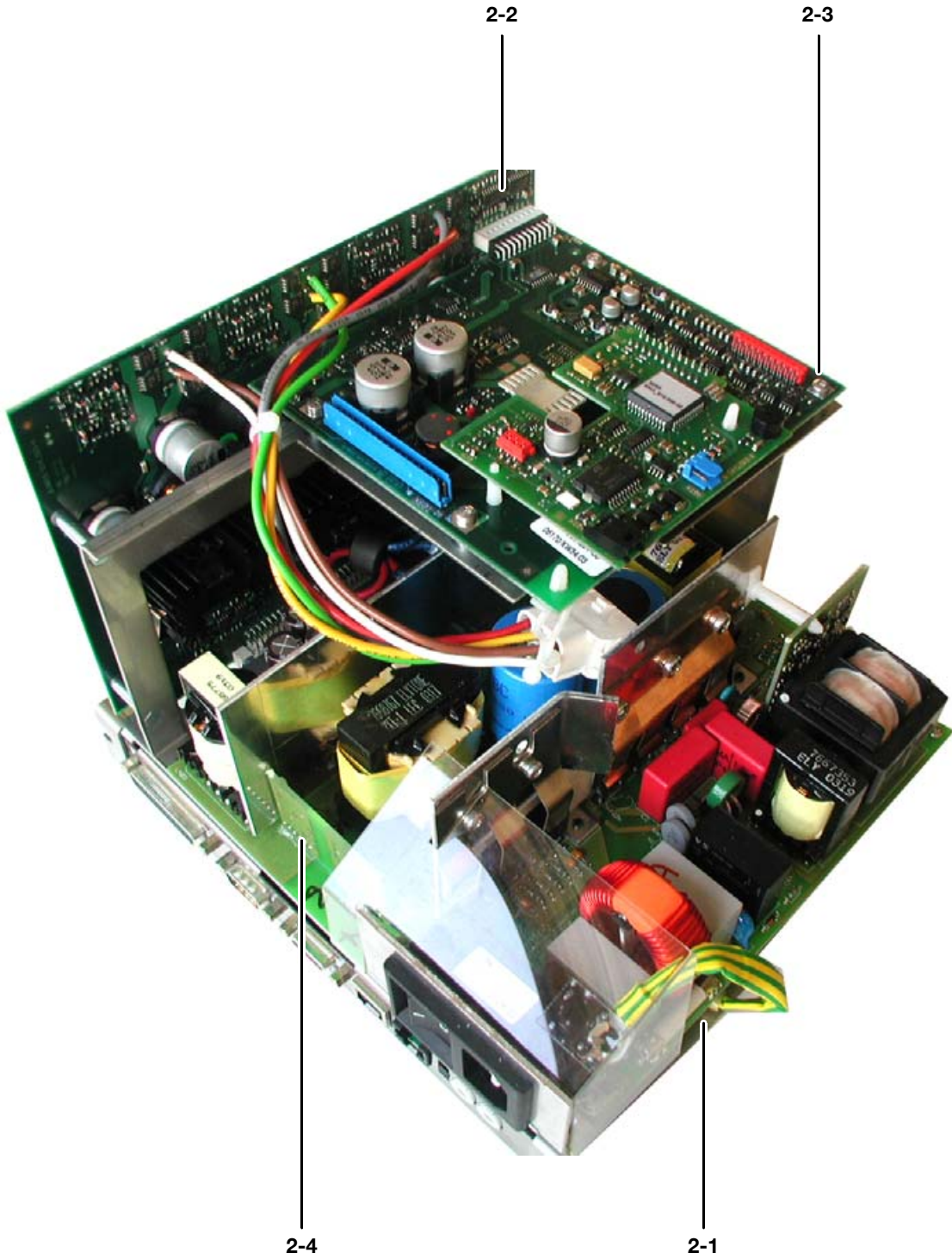


Fig. 2

Mastercycler® ep realplex 6302 – 7 Spare parts list

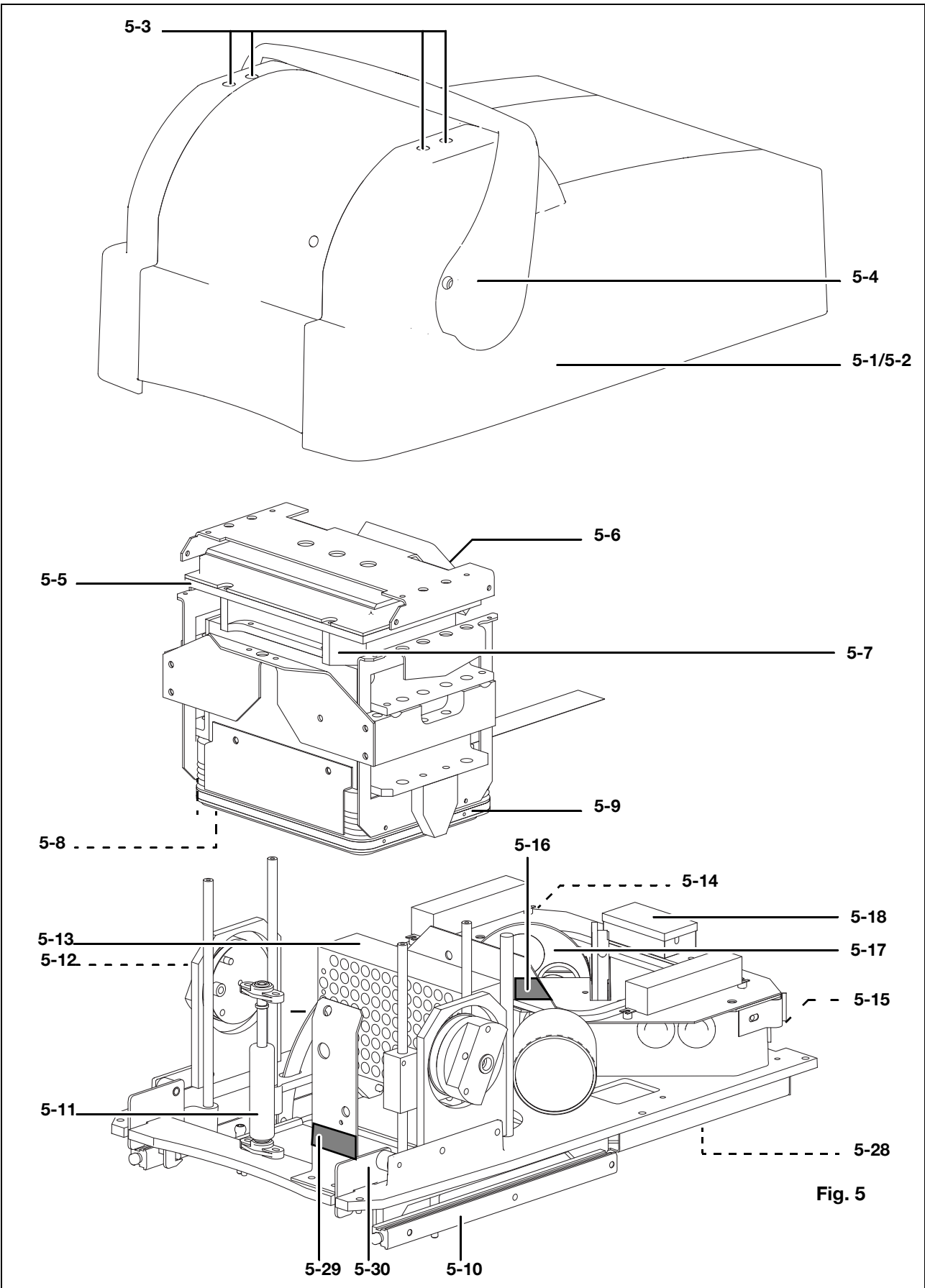


Fig. 5

Mastercycler® ep realplex 6302 – 7 Spare parts list

7 Spare parts list

Spare parts Mastercycler ep module

Fig	Pos	Designation	New part	Pool part
	1	Cycler housing	_____	
1	1-1	Front clip	5341 874.000	
1	1-2	Front panel ep gradient	5341 873.004	
1	1-2	Front panel ep 384	5341 883.000	
1	1-2	Front panel ep gradient S	5341 884.006	
	1-3	Panel left	5341 871.001	
1	1-4	Panel right	5341 872.008	
1	1-5	Lower part of housing with feed	5341 875.007	
1	1-6	Rollflex cable	5341 860.000	
1	1-7	Split pin	0010 013.183	
	1-8	Rear panel	5341 876.003	
	1-9	Device feet (4 pcs)	5341 878.006	
		Thermoblock	_____	
1	1-10	Thermoblock 384 AL*	5341 858.005	
1	1-10	Thermoblock 96 Ag*	5341 859.001	
1	1-10	Thermoblock 96 AL*	5341 857.009	
1	1-11	Fan for thermoblock	5341 861.006	
1	1-12	Rubber guide fan	5341 862.002	
		Electric/ Electronic	_____	
2	2-1	PCB Computer	5341 851.000	
2	2-2	PCB Power unit	5341 852.007	
2	2-3	PCB Launch*	5341 853.003	
2	2-4	Power supply	5341 856.002	
	2-5	Repair set for power supplies	5341 896.004	
	2-6	Fuses T 1.5 A (F900)	0013 608.695	
	2-7	Fuses F 0,375 A (F901)	0013 613.890	
	2-8	Fuses T 5 A (F905)	0013 613.891	
	2-9	Fuses T 10 A (F902/903/904)	0013 608.300	
		Auxiliary aids	_____	
	3-1	Stopper (4 pices)	5341 881.007	
	3-2	Measuring cable for thermoblock	5341 885.002	
	3-3	Sucker tool	5341 890.006	

Mastercycler® ep realplex 6302 – 7 Spare parts list

Spare parts Mastercycler ep module

7 Spare parts list

Fig	Pos	Designation	New part	Pool part
Temperature validation system			—————	
	4-4	Temperature validation system, cpl.	0055 000.298	
	4-5	Temperature sensor for 0.2 ml	5341 897.000	
	4-6	Adapter galvanic separation with power supply	5341 898.007	
	4-7	Power supply for testodevice	5341 899.003	
	4-8	Connecting cable for temperature sensor	5331 229.026	
	4-9	RS 232 C connecting cable	5331 229.018	
	4-10	Personal card	5331 226.027	
	4-11	Sensor 348 well	5331 233.007	
	4-12	Silicone mat for 384er sensor only	5331 234.003	
	4-13	Chip card 384	5331 235.000	
	4-14	Spacer for thermal validation	6302 891.000	
	4-15	Certification for validation system	0055 000.360	

* The thermoblock from index -10 upwards and the PCB Launch from index -08 upwards can be replaced individually. Thermoblocks < -10 and PCB Launch < -08 still always need to be replaced together. The index of these components can be called up using the "Index Units" Service function.

Mastercycler® ep realplex 6302 – 7 Spare parts list

7 Spare parts list

Spare parts realplex module

Fig	Pos	Designation	New part
Housing			
5	5-1	Housing realplex 2	6302 876.000
5	5-2	Housing realplex 4	6302 877.007
	5-3	Stopper, set	6302 890.003
5	5-4	Lever	6302 872.005
Light path			
System 1 (PE)			
5	5-8	Frame with heating foil and Isolation plate	6302 866.501
5	5-9	Sleeve up to S/N 10.014	6302 884.003
5	5-9	Sleeve from S/N 10.015	6302 868.504
5	5-14	Multiplier 900nm with power supply	6302 857.006
5	5-15	Multiplier 650nm with power supply *1	6302 858.002
	5-19	Filter 520nm, with diffuser	6302 101.203
	5-20	Filter 550nm, with diffuser	6302 103.206
	5-21	Filter 580nm, with diffuser	6302 102.200
	5-22	Filter 605nm, with diffuser	6302 104.202
System 2 (HA)			
	5-13	Light conductor module (incl. socket for ref. channel and tool)	6302 874.008
5	5-14	Multiplier 900nm	6302 855.500
5	5-15	Multiplier 650nm	6302 854.503
5	5-16	Beam splitter	6302 866.005
5	5-17	Filter wheel	6302 867.001
	5-19	Filter 520nm without diffuser	6302 856.506
	5-20	Filter 580nm without diffuser	6302 857.502
	5-21	Filter 550nm without diffuser	6302 858.509
	5-22	Filter 605nm without diffuser	6302 859.505
	5-23	Motor for filter wheel	6302 855.003
	5-24	Light barrier filter recognition	6302 856.000
	5-32	Gasket L	6302 864.509
	5-33	Gasket R	6302 865.505
Electric/ Electronic			
5	5-5	PCB LED Matrix	6302 851.008
5	5-6	Fan ODM	6302 852.004
5	5-18	PCB Amplifier	6302 859.009
5	5-28	PCB control universal	6302 860.503
3	5-29	LED status + microswitch	6302 853.000
	5-35	Fuses	6302 860.007

*1 This multiplier requires a new housing.

Mastercycler® ep realplex 6302 – 7 Spare parts list

Spare parts realplex module

7 Spare parts list

Fig	Pos	Designation	New part
Mechanical parts			
5	5-7	Reference channel	6302 899.000
5	5-10	Set of slider with stand	6302 881.004
5	5-11	Hydraulics piston, cpl.	6302 889.005
5	5-12	Set of guiding plates	6302 882.000
	5-25	Spring small, set	6302 880.008
	5-26	Spring big, set	6302 887.002
	5-27	Strain relief (rollflex cable)	6302 892.006
5	5-30	Lock, set	6302 879.000
	5-31	Cycler assembly kit	6302 862.000
Auxiliary aids			
	6-1	Test box realplex	6302 875.004
	6-2	Certification of "Test box realplex"	6302 875.306
	6-3	Adjusting plate	0024 217.108
	6-4	Adjustment filter set	6302 863.502
	6-5	USB-CAN adapter	5349 851.000
	6-6	PC-CAN bus cable	5349 852.006
	6-7	Packaging	6302 853.507
	6-8	Temperature indicator	6302 893.002
	6-9	Gloves (1 pair)	0019 031.381
	6-10	Torx screwdriver T10	0024 217.809
	6-11	Torx screwdriver T20	0024 217.909
	6-12	Pads for realplex (set of 10)	6302 896.001
	6-13	Tool for light conductor	0024 217.205

Mastercycler® ep realplex 6302 – 7 Spare parts list

7 Spare parts list

Recommended spare parts for the Mastercycler ep realplex system

To: Eppendorf AG	From:
Fax no.: +49 40-5 38 01-758	Fax no.:
	Name:
	Phone:
	Order no.:

Quantity	Fig.	Pos	Designation	New part	Pool part
	1	1-6	Rollflex cable	5341 860.000	
	1	1-11	Fan for thermoblock	5341 861.006	
		3-2	Measuring cable for thermoblock	5341 885.002	
		3-3	Sucker tool	5341 890.006	
		5-23	Motor for filter wheel	6302 855.003	
		5-24	Light barrier filter recognition	6302 856.000	
	5	5-8	Frame with heating foil and Isolation plate	6302 866.501	
	1	1-11	Fan ODM	6302 852.004	
	5	5-10	Set of slider with stand	6302 881.004	
		5-27	Strain relief (rollflex cable)	6302 892.006	
		6-1	Test box realplex	6302 875.004	
		6-4	Adjustment filter set	6302 863.502	
		6-9	Gloves (1 pair)	0019 031.381	