

# 11 Ordering Information

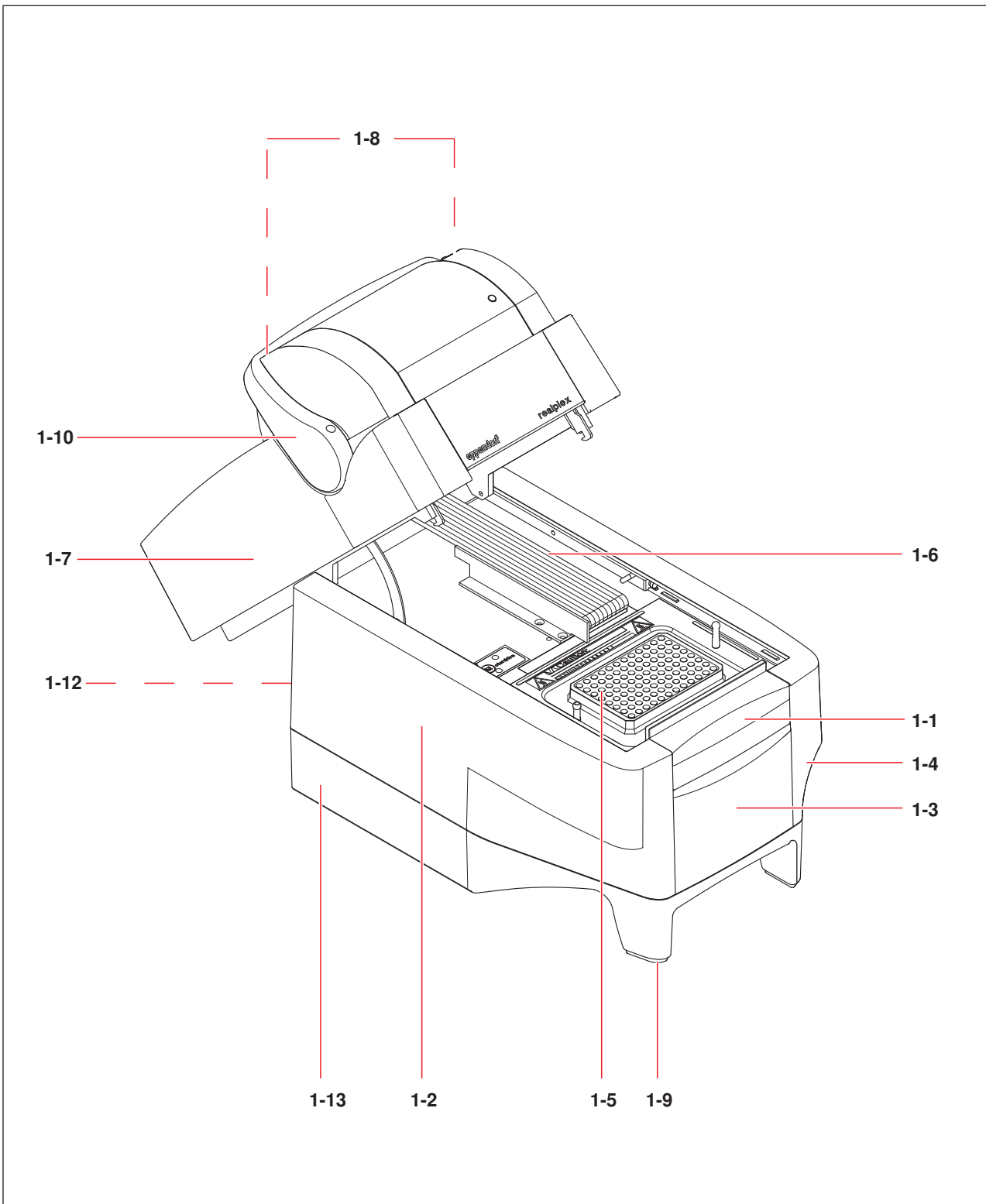


Fig. 11-1: Mastercycler ep realplex

# 11 Ordering Information

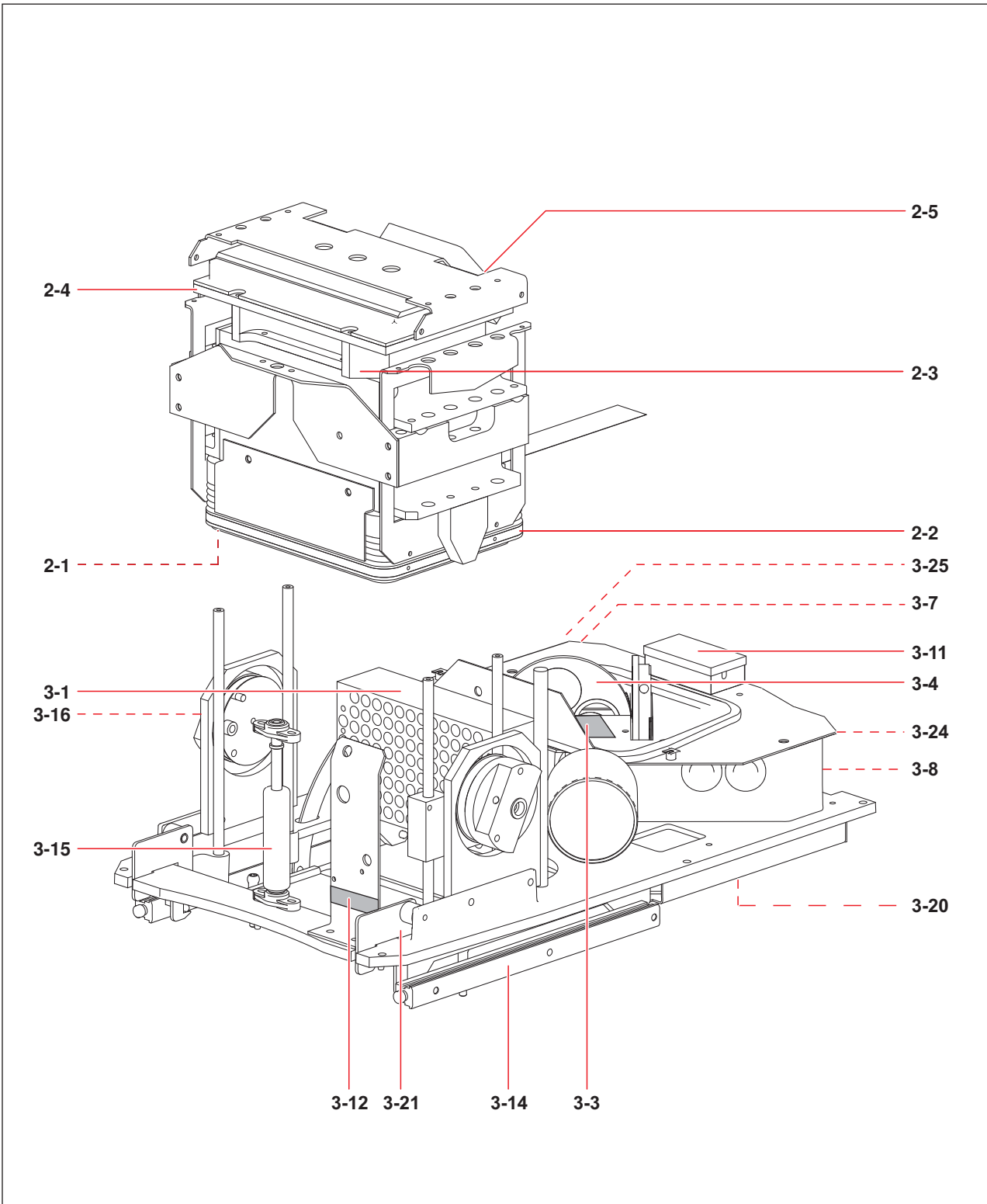


Fig. 11-2: Realplex module

# 11 Ordering Information

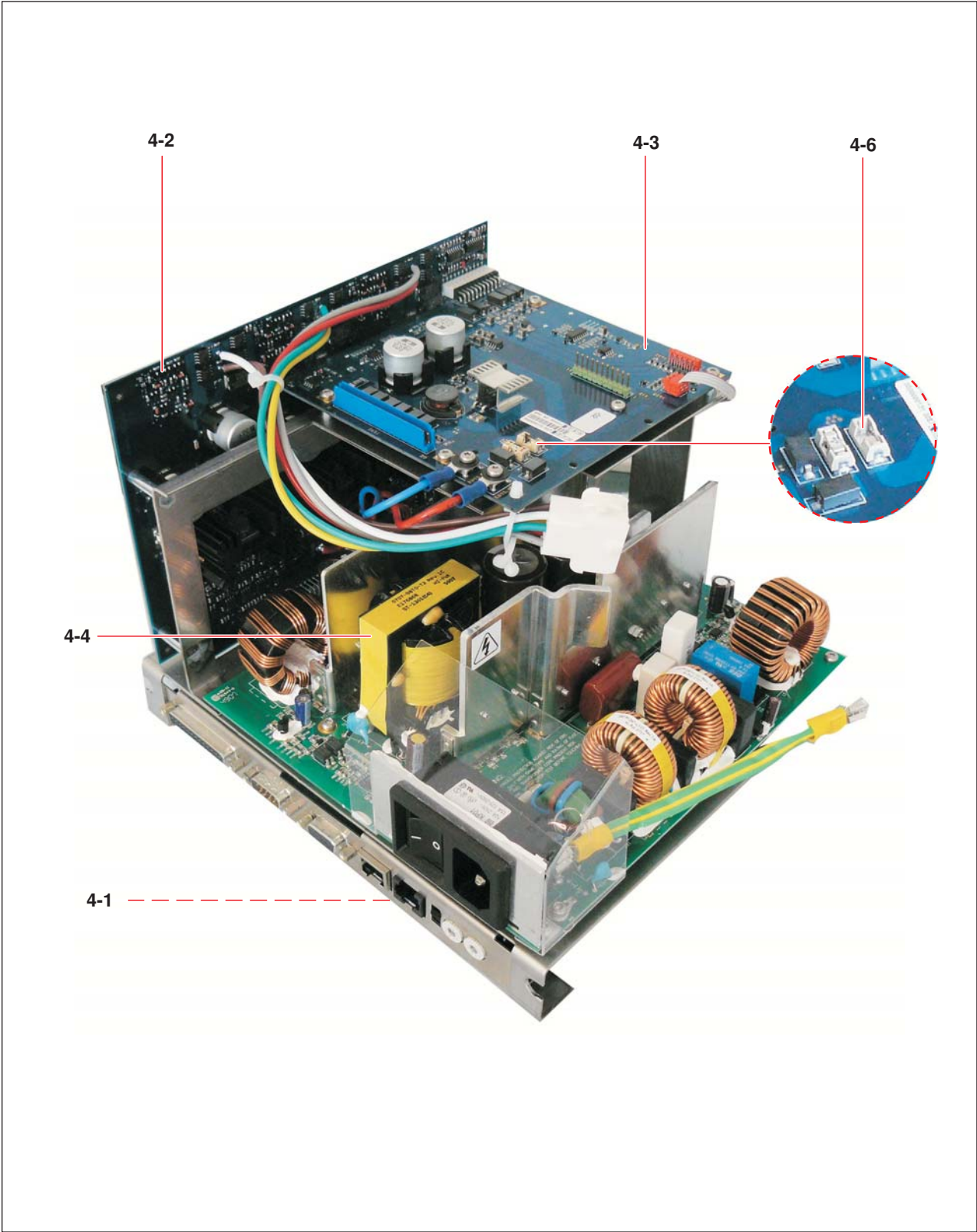


Fig. 11-3: Mastercycler module PCB carrier

## 11 Ordering Information

### 11.1 *realplex* module spare parts list

#### 11.1.1 Housing

Fig.	Item	Order No. (International)	Description
1	1-7	6302 876.000	Housing realplex <sup>2</sup>
1	1-7	6302 877.007	Housing realplex <sup>4</sup>
1	1-8	6302 890.003	Stopper set
1	1-10	6302 872.005	Lever

#### 11.1.2 Light path

Fig.	Item	Order No. (International)	Description
2	2-1	6302 866.501	Frame with heating foil and Isolation plate
2	2-2	6302 868.504	Sleeve from S/N 10.015
2	2-3	6302 899.000	Reference channel carrier
3	3-1	6302 874.008	Light conductor modul
—	3-2	6302 883.007	Light path
3	3-3	6302 866.005	Beam splitter
3	3-4	6302 867.001	Filter wheel
-	3-5	6302 855.003	Motor for filter wheel
-	3-6	6302 856.000	Light barrier filter recognition

## 11 Ordering Information

### 11.1.3 Multiplier / Filter



The filters in positions 3 - 20 to 3 - 23 are all marked with a red ring. These filters are only necessary for Hamamatsu (HA) multipliers.

Fig.	Item	Order No. (International)	Description
3	3-7	6302 855.500	<b>Multiplier Hamamatsu</b> 900 nm
3	3-8	6302 854.503	650 nm
—	3-20	6302 856.506	<b>Filter with red ring</b> 520 nm
—	3-21	6302 857.502	550 nm
—	3-22	6302 858.509	550 nm
—	3-23	6302 859.505	605 nm
3	3-24	6302 864.509	<b>Gasket L</b>
3	3-25	6302 865.505	<b>Gasket R</b>

**Conversion kits: for conversions from Perkin Elmer (PE) to Hamamatsu (HA).**

Conversion kit I consists of (HA) multiplier 650 nm and the filters 520 nm and 550 nm. These filters are marked with a red ring.

Fig.	Item	Order No. (International)	Description
-	-	6302 869.500	<b>Retrofit kit I</b> consist of HA CPM 650 nm, filter 520 nm and 550 nm with red ring

Conversion kit II consists of (HA) multiplier 900 nm and the filters 580 nm and 605 nm. These filters are marked with a red ring.

Fig.	Item	Order No. (International)	Description
-	-	6302 870.509	<b>Retrofit kit II</b> consist of HA CPM 900 nm, filter 580 nm and 605 nm with red ring



Conversion kit I is required for converting a realplex module 2. For the conversion of a realplex 4 module, Conversion Kit II is required in addition to Conversion Kit I. The PCB Control must be exchanged for an PCB control universal, if necessary. Additional information can be found in the chapter "Exchanging multipliers".

**Additional tools required for conversion from Perkin Elmer (PE) to Hamamatsu (HA).**

Fig.	Item	Order No. (International)	Description
-	-	6302 861.500	<b>CD realplex Software V2.2</b>

Fig.	Item	Order No. (International)	Description
-	-	6302 070.200	<b>Calibration kit for Mastercycler ep realplex</b>

## 11 Ordering Information

### 11.1.4 Electrical/Electronic equipment

Fig.	Item	Order No. (International)	Description
2	2-4	6302 851.008	PCB LED matrix
2	2-5	6302 852.004	Fan ODM
3	3-11	6302 859.009	PCB amplifier
3	3-12	6302 853.000	LED status and microswitch
—	3-13	6302 860.007	Fuse
3	3-20	6302 860.503	PCB control universal

### 11.1.5 Mechanical components

Fig.	Item	Order No. (International)	Description
3	3-14	6302 881.004	Set of slider with stand
3	3-15	6302 889.005	Hydraulics piston
3	3-16	6302 882.000	Set of guiding plates
—	3-17	6302 880.008	Spring small, set
—	3-18	6302 887.002	big, set
—	3-19	6302 892.006	Strain relief
—	3-20	6302 862.000	Mounting set cyclor
3	3-21	6302 879.000	Lock, set

### 11.1.6 Auxiliary equipment

Fig.	Item	Order No. (International)	Description
—	5-1	6302 875.004	Test box realplex
—	5-2	6302 875.306	Certification of Test box realplex
—	5-3	0024 217.108	Adjusting plate
—	5-4	6302 863.502	Adjustment filter set
—	5-5	5349 851.000	USB CAN adapter
—	5-6	5349 852.006	CAN bus adapter cable with 9-pin SUB-D socket and RJ45 plug
—	5-7	6302 853.507	Packaging
—	5-8	6302 893.002	Temperature indicator
—	5-9	0019 031.381	Glove for clean room
—	5-10	0024 217.809	Torx screwdriver TX10x80
—	5-11	0024 217.909	T20
—	5-12	6302 896.001	Pads for realplex (set of 10)
—	5-13	0024 217.205	Tool for light conductor

# 11 Ordering Information

## 11.2 Cyclor module spare parts list

### 11.2.1 Housing

Fig.	Item	Order No. (International)	Description
1	1-1	5341 874.000	<b>Front clip</b>
1	1-4	5341 871.001	<b>Panel</b> left
1	1-2	5341 872.008	right
1	1-3	6321 882.003	<b>Front panel</b> Mastercycler pro
1	1-3	6321 884.006	Mastercycler pro S
1	1-13	5341 875.007	<b>Lower part of housing</b> with feed
1	1-6	5341 860.000	<b>Rollflex cable</b>
1	1-9	5341 878.006	<b>Device feet</b> 4 pieces
1	1-11	6321 894.001	<b>Split pin</b> 20 pieces
1	1-12	5341 876.003	<b>Rear panel</b>

### 11.2.2 Thermoblock / PCB Launch for Cyclor pro module

Fig.	Item	Order No. (International)	Description
1	1-5	6321 859.001	<b>Thermoblock MC pro</b> improved homogeneity
1	1-5	6321 857.009	96 Ag 96 Al
4	4-3	6321 853.003	<b>PCB Launch</b> Mastercycler pro



Figure 4 shows the PCB carrier for the Mastercycler pro.

This Cyclor pro thermoblock and PCB Launch may not be mixed with a Mastercycler ep thermoblock and PCB Launch. Also a new cyclor firmware is required. For further informations see the [eppendorf-support.com](http://eppendorf-support.com).

## 11 Ordering Information

### 11.2.3 Electrical/Electronic equipment

Fig.	Item	Order No. (International)	Description
4	4-1	5341 851.000	<b>PCB Computer</b>
4	4-2	6321 852.007	<b>PCB Power unit</b>
—	4-7	0013 608.695	<b>SMD fuse</b> T 1.5 A
—	4-10	0013 608.300	10 A, FF, SMD, Type 451
—	4-8	0013 613.890	<b>Fuse</b> 0.375 A F SMD
—	4-9	0013 613.891	5.0 F SMD
Fig.	Item	Order No. (International)	Description
4	4-4	6321 856.509	<b>PCB Power supply</b> Mastercycler pro
4	4-6	6321 880.000	<b>SMD fuse</b> for PCB Launch 6,3 A, slow blow (for Mastercycler pro), 10 pieces
4	4-6	6321 893.005	2 A, slow blow (for Mastercycler ep), 10 pieces

### 11.2.4 Temperature validation system

Fig.	Item	Order No. (International)	Description
—	6-1	0055 000.298	<b>Temperature Verification System</b> for Mastercycler, Mastercycler ep and Mastercycler pro
—	6-2	0055 000.360	<b>Certification for Temperature Verification System</b>
—	6-3	5341 897.000	<b>Temperature sensor</b> for 0.2 mL
—	6-4	5341 898.007	<b>Adapter galvanic separation</b> with power supply
—	6-5	5341 899.003	<b>Power supply for testo device</b> 230 V / 50 - 60 Hz
—	6-6	5331 229.026	<b>Connecting cable for temperature sensor</b>
—	6-7	5331 229.018	<b>RS 232 C connecting cable</b>
—	6-8	6302 891.000	<b>Spacer</b> 4 pieces

### 11.2.5 Mechanical components

Fig.	Item	Order No. (International)	Description
—	7-1	5341 861.006	<b>Fan for thermo unit</b>
—	7-2	5341 862.002	<b>Rubber guide fan</b>



# 11 Ordering Information

## 11.2.6 Auxiliary equipment

Fig.	Item	Order No. (International)	Description
—	8-1	5341 885.002	<b>Measure cable Thermoblock</b>
—	8-2	5341 890.006	<b>Sucker tool</b>

## 11 Ordering Information

### 11.3 Mastercycler ep *realplex* system spare part replacement

To: <b>Eppendorf AG</b>	From:
Fax no.: <b>040 53801758</b>	Fax no.:
	Name:
	Phone:
	Order no.:

#### 11.3.1 Cyclor module

Fig.	Item	Order No. (International)	Description
1	1-6	5341 860.000	<b>Rollflex cable</b>
—	6-1	0055 000.298	<b>Temperature Verification System</b> for Mastercycler, Mastercycler ep and Mastercycler pro
—	7-1	5341 861.006	<b>Fan for thermo unit</b>
—	8-2	5341 885.002	<b>Measure cable Thermoblock</b>
—	8-3	5341 890.006	<b>Sucker tool</b>

#### 11.3.2 *realplex* module

Fig.	Item	Order No. (International)	Description
2	2-1	6302 866.501	<b>Frame with heating foil and Isolation plate</b>
2	2-5	6302 852.004	<b>Fan ODM</b>
—	3-19	6302 892.006	<b>Strain relief</b>
—	5-1	6302 875.004	<b>Test box realplex</b>
—	5-3	0024 217.108	<b>Adjusting plate</b>
—	5-7	6302 853.507	<b>Packaging</b>
—	5-9	0019 031.381	<b>Glove for clean room</b>