

11 Ordering information

11.1 Spare parts

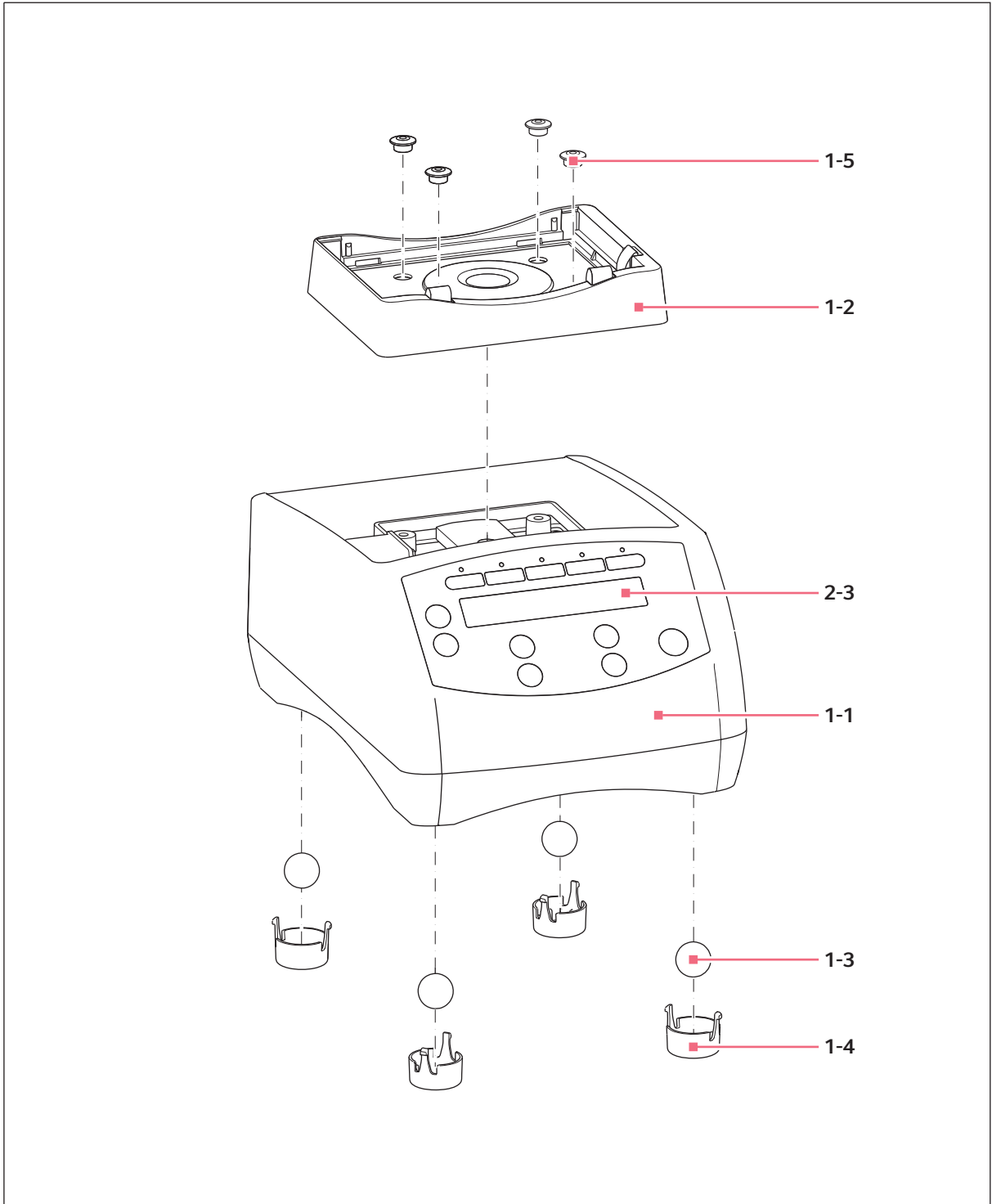


Fig. 11-1: MixMate - external view

Ordering information

MixMate 5353 from serial number 10,000
English (EN)

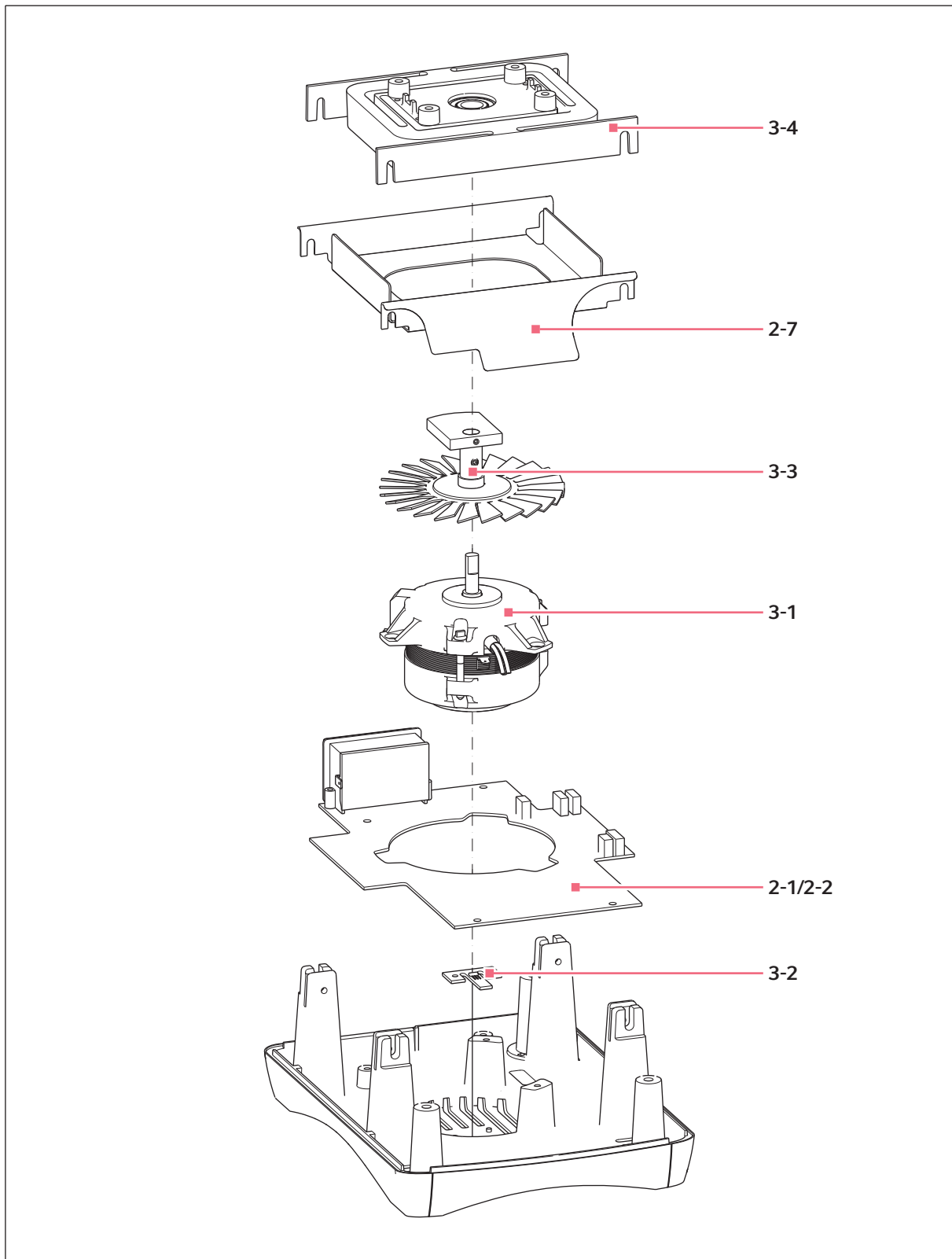


Fig. 11-2: MixMate - internal view

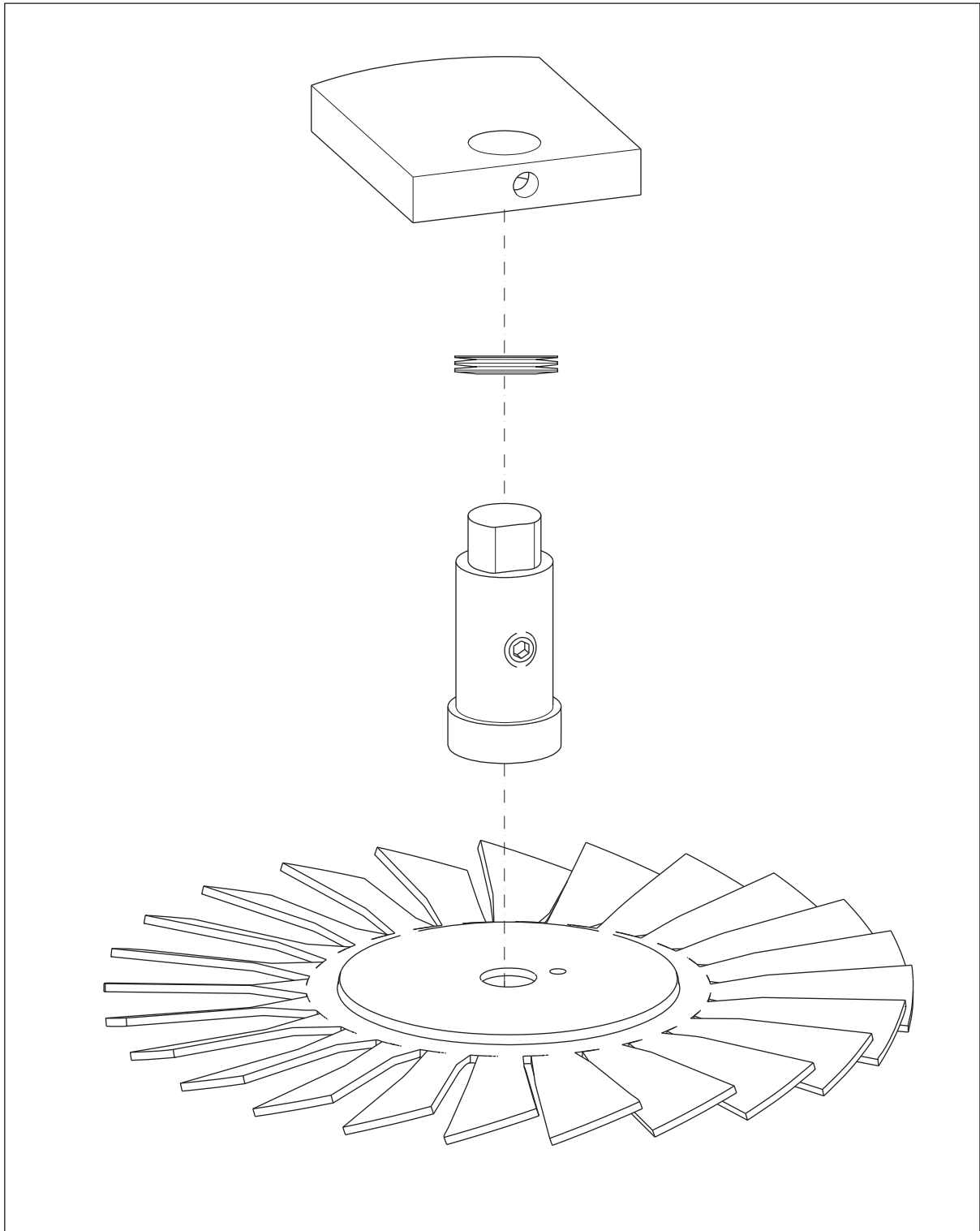


Fig. 11-3: MixMate - pos. 3-3 "Eccenter repair kit"

Ordering information

MixMate 5353 from serial number 10,000
English (EN)

11.2 Spare parts



For devices with serial numbers up to 15000, the original plate holder (item. 1-2) cannot be reused after disassembly and must be exchanged (see *Plate holder* on p. 19)!

11.2.1 Housing

Fig.	Item	Order no. (International)	Description
11-1	1-1	5353 851.006	Upper part of housing with keypad
11-1	1-2	5353 862.105	Plate holder, cpl.
11-1	1-3	5355 863.001	Spherical foot set of 4
11-1	1-4	5353 861.001	Spherical support dark, set of 4
11-1	1-5	5353 863.101	Cover cap 4 pieces

11.2.2 Electronics

Fig.	Item	Order no. (International)	Description
11-2	2-1	5353 855.206	PCB MixMate 120V
11-2	2-2	5353 854.200	240V
11-1	2-3	5353 852.002	PCB Display
--	2-4	5353 853.009	Light barrier
--	2-5	5353 865.015	Fuse 1.6 A slow (120 V), set of 2
--	2-6	5353 865.023	800 mA slow (230 V), set of 2
11-2	2-7	5353 850.107	Screening plate

11.2.3 Drive

Fig.	Item	Order no. (International)	Description
11-2	3-1	5353 860.005	Motor
11-2	3-2	5353 856.008	Speed sensor
11-2/3	3-3	5353 858.000	Repair kit eccentric
11-2	3-4	5353 857.004	Oscillating frame, cpl.

11.2.4 Accessories

Fig.	Item	Order no. (International)	Description
--	4-1	5353 857.209	Mounting fixture for oscillating frame
--	4-2	5353 040.113	Tube Holder
--	4-3	5353 040.121	PCR 96
--	4-4	5353 040.130	0.5 mL
--	4-5	5353 864.000	1.5/2.0 mL
--			Packing

11.3 Spare parts proposals – initial equipment

Fig.	Item	Order no. (International)	Description
11-1	1-2	5353 862.105	Plate holder, cpl.
11-2	2-1	5353 855.206	PCB MixMate
11-2	2-2	5353 854.200	120V
11-2	3-1	5353 860.005	240V
11-2	3-4	5353 857.004	Motor
--	4-2	5353 857.209	Oscillating frame, cpl.
--			Mounting fixture for oscillating frame

Ordering information

MixMate 5353 from serial number 10,000
English (EN)