

12 Ordering information  
12.1 Figures

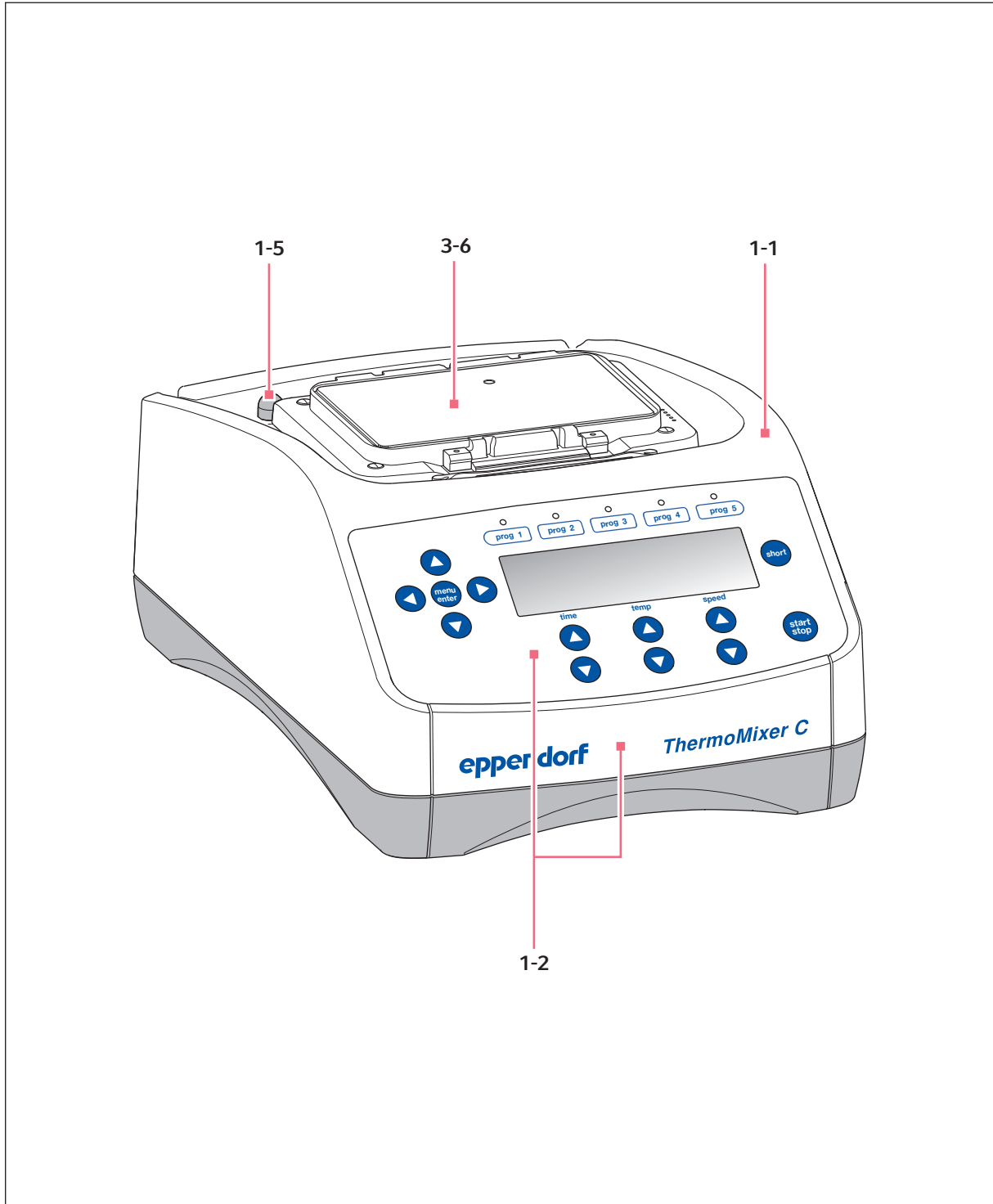


Fig. 12-1: Front view

**Ordering information**

Eppendorf ThermoMixer C/F0.5/F1.5/F2.0/FP/ThermoStat C  
English (EN)

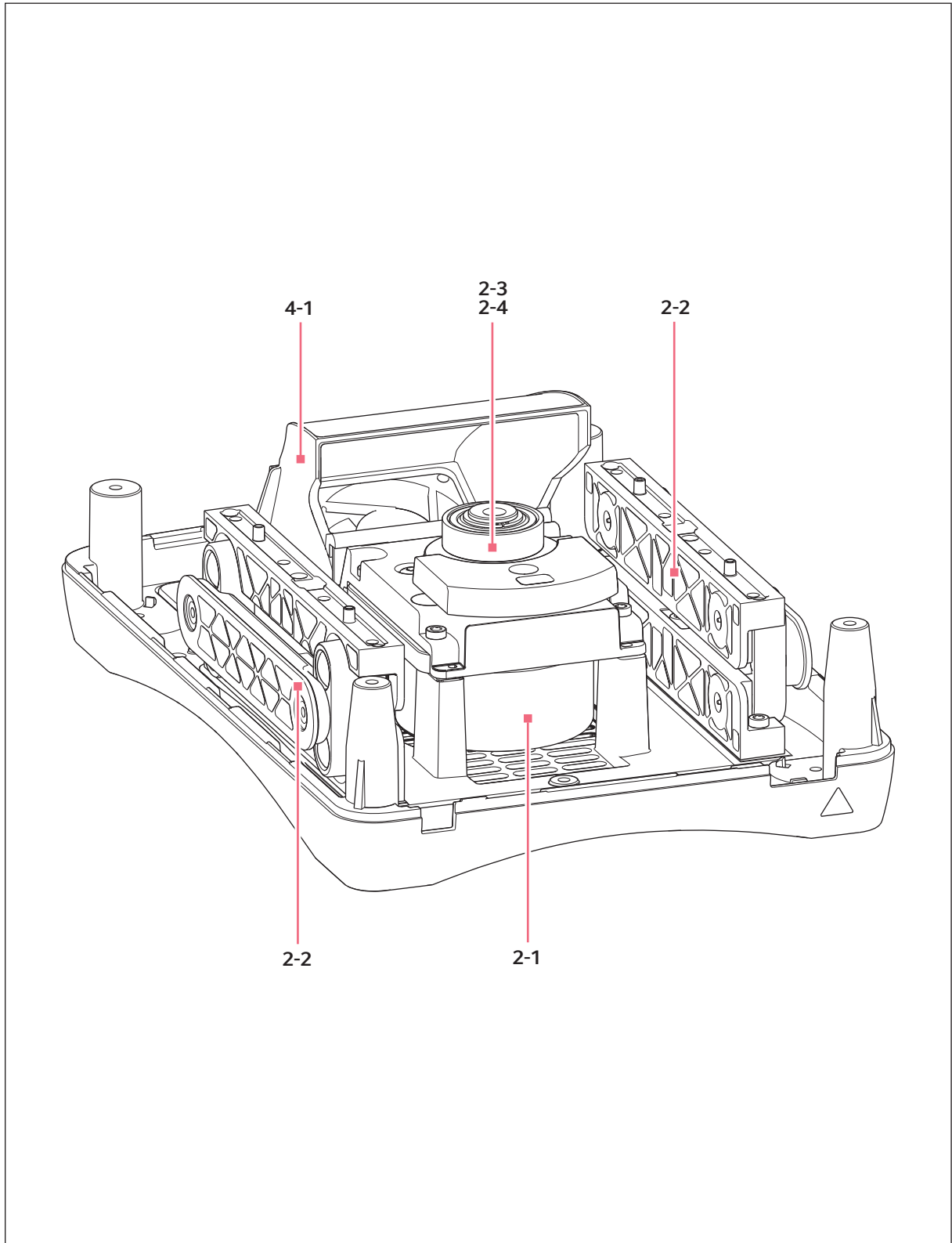


Fig. 12-2: Drive mechanism and air duct

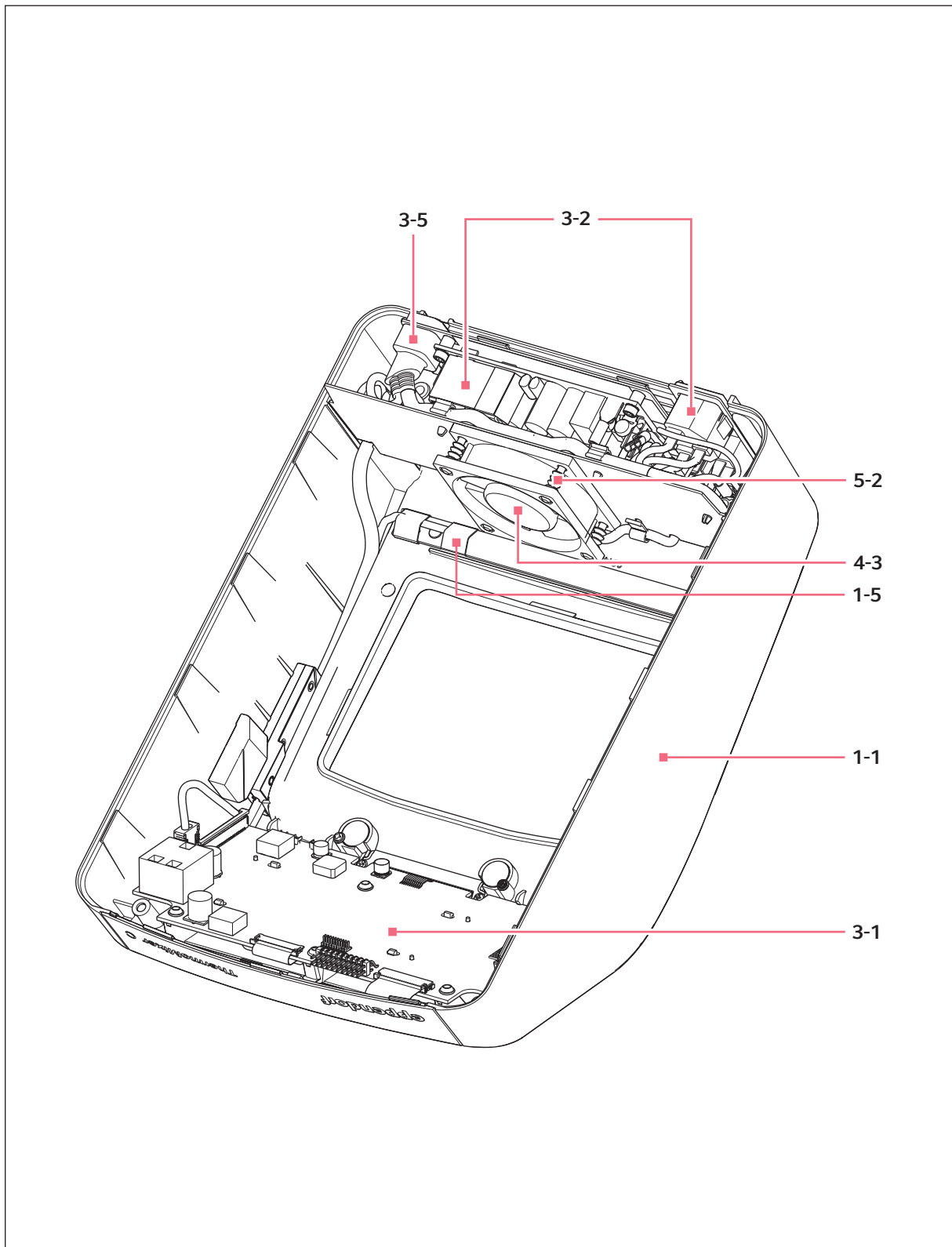


Fig. 12-3: Upper part of housing with electronics

**Ordering information**

Eppendorf ThermoMixer C/F0.5/F1.5/F2.0/FP/ThermoStat C  
English (EN)

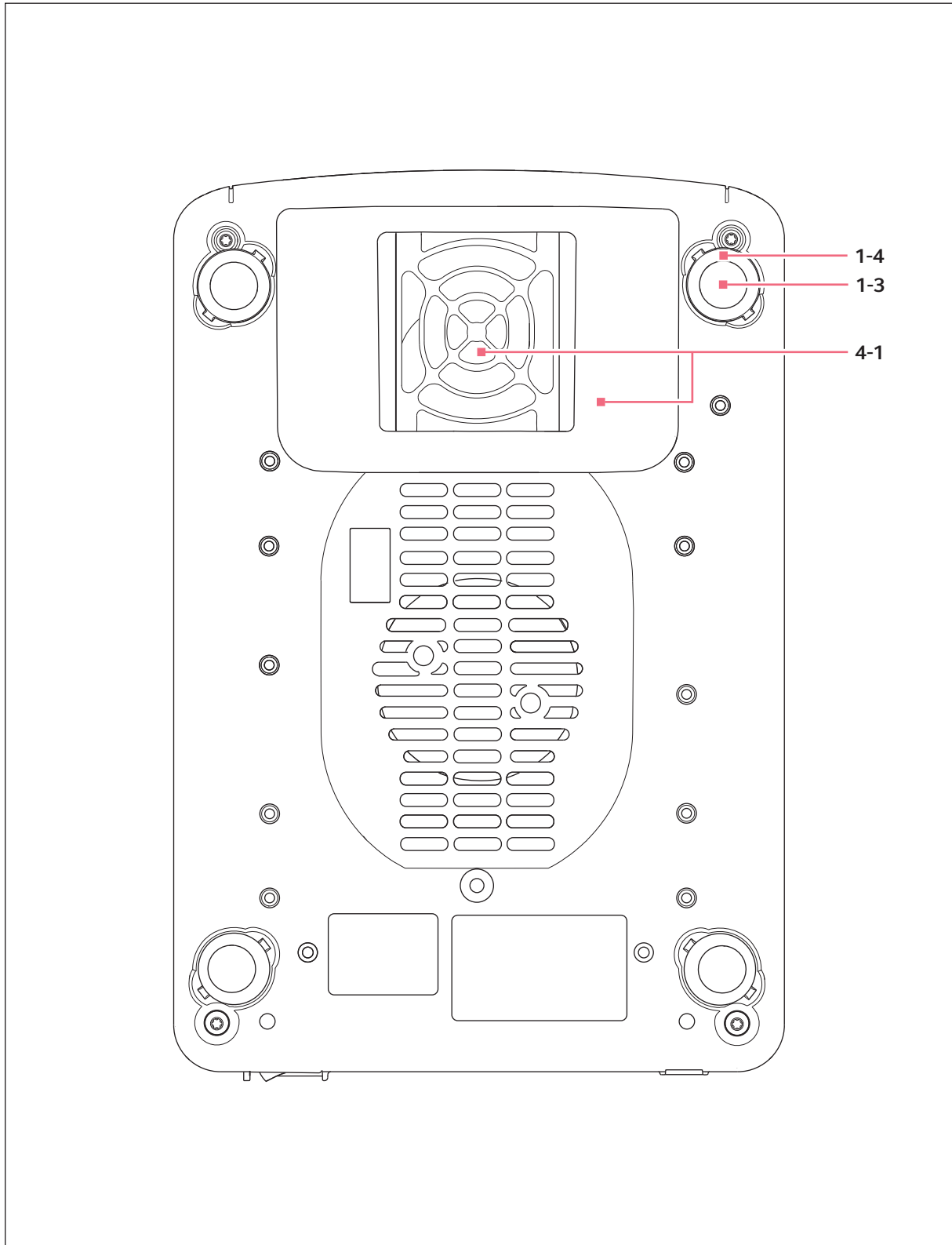


Fig. 12-4: View from below

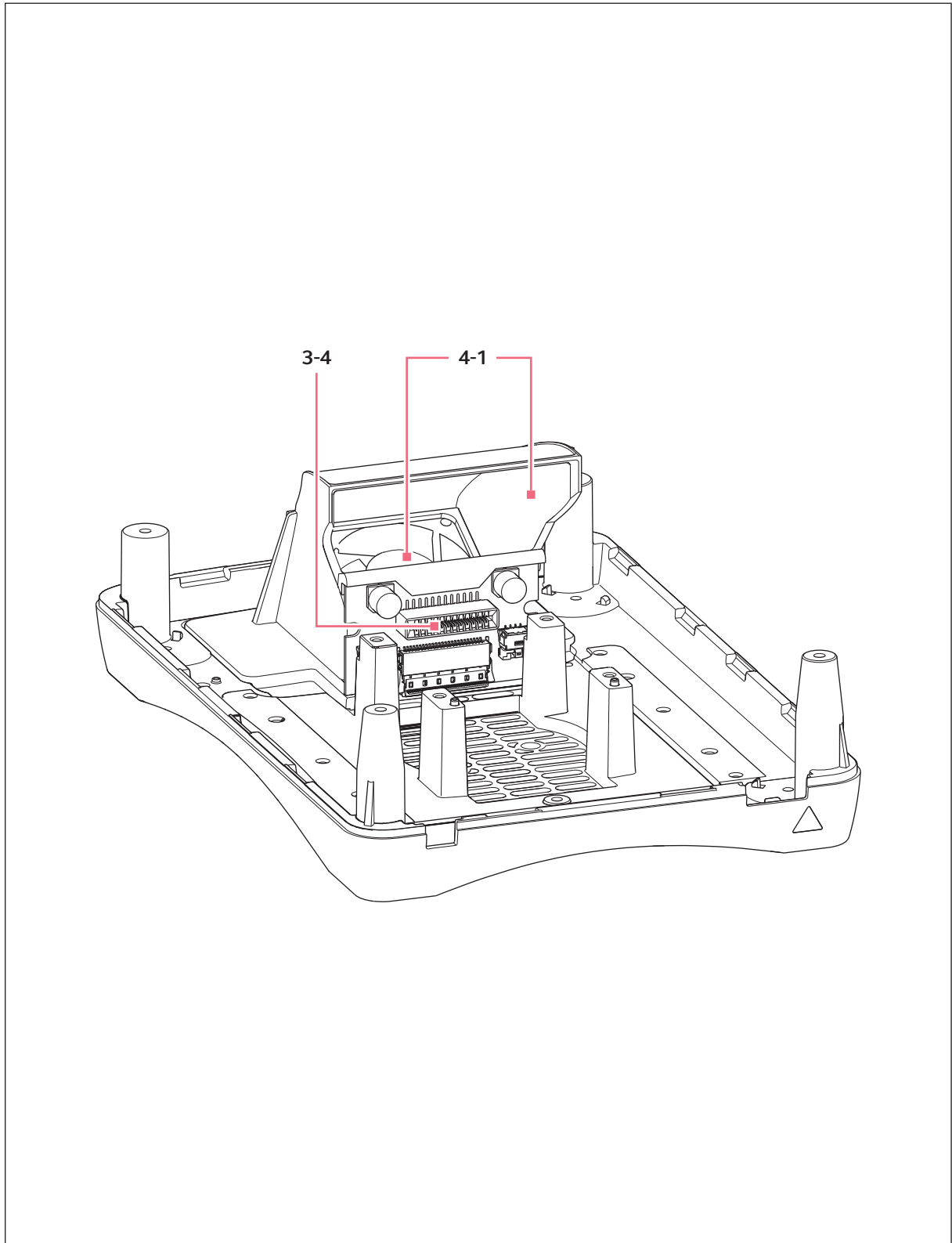


Fig. 12-5: PCB motor control and fan for cooling (including air duct)

**Ordering information**

Eppendorf ThermoMixer C/F0.5/F1.5/F2.0/FP/ThermoStat C  
English (EN)

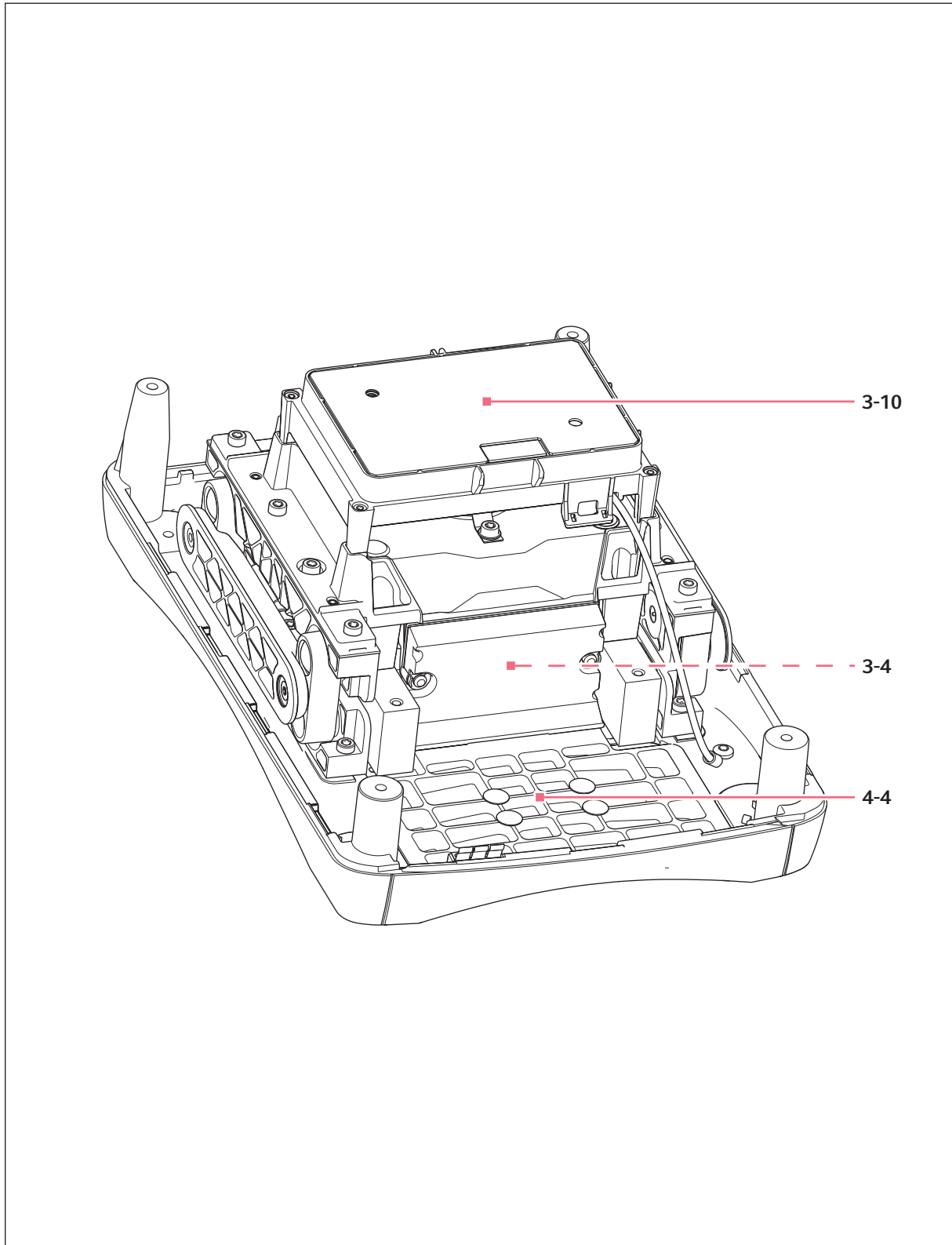


Fig. 12-6: Eppendorf ThermoMixer Fxx, internal view

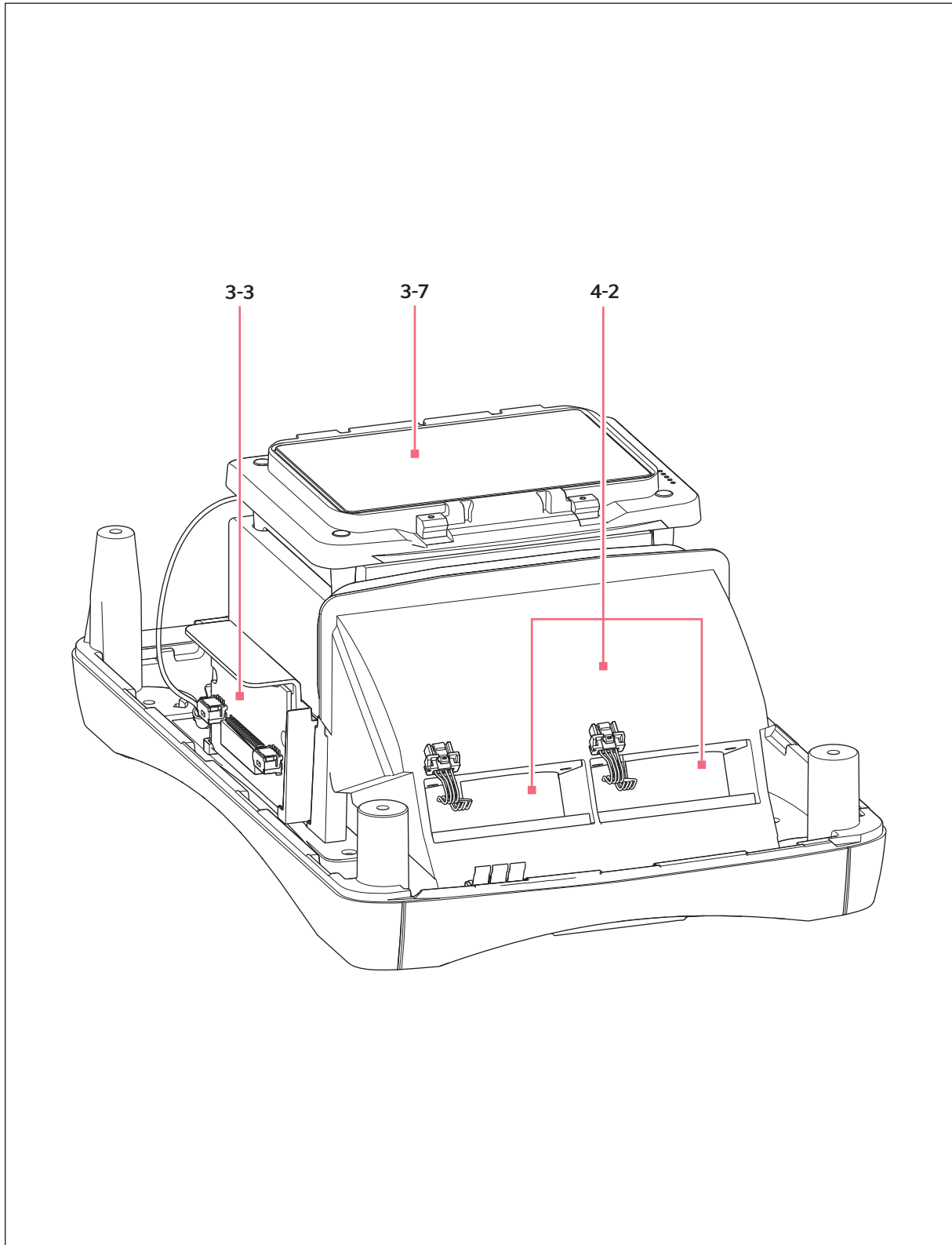


Fig. 12-7: Eppendorf ThermoStat C, internal view

**Ordering information**

Eppendorf ThermoMixer C/F0.5/F1.5/F2.0/FP/ThermoStat C  
English (EN)



Fig. 12-8: Thermoblock 1.5 mL



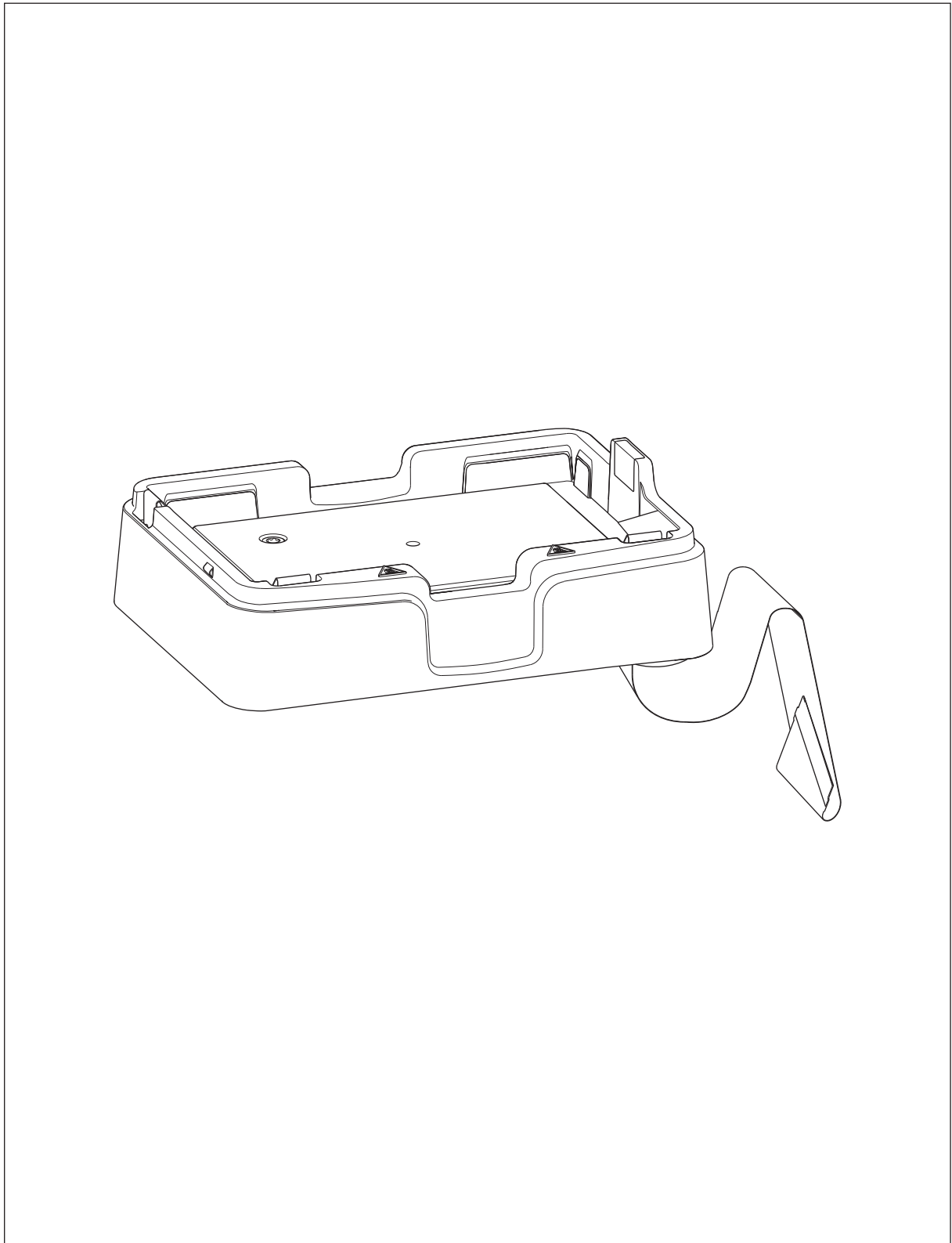


Fig. 12-9: Thermoblock plates

**Ordering information**

Eppendorf ThermoMixer C/F0.5/F1.5/F2.0/FP/ThermoStat C  
English (EN)

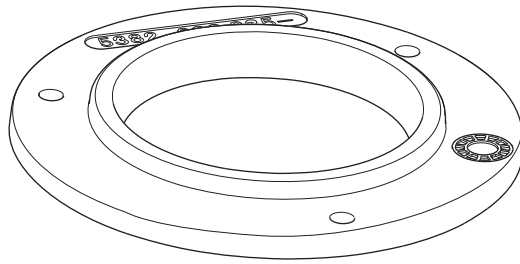


Fig. 12-10: Locking ring

## 12.2 Spare parts

### Product numbers

- 5382: Eppendorf ThermoMixer C (TMC)
- 5383: Eppendorf ThermoStat C (TSC)
- 5384: Eppendorf ThermoMixer F1.5 (TMF1.5)
- 5385: Eppendorf ThermoMixer FP (TMFP)
- 5386: Eppendorf ThermoMixer F0.5 (TMF0.5)
- 5387: Eppendorf ThermoMixer F2.0 (TMF2.0)

### 12.2.1 Housing

Fig.	Item	Order no. (International)	Description	5382	5383	5384	5385	5386	5387
12-1 / 12-3	1-1	5382 850.019	<b>Upper part of housing</b> w/o keypad TMC/TSC/TMF	X	X	X	X	X	X
12-1	1-2	5382 850.060	<b>Keypad</b> incl. Frontclip TMC	X					
12-1	1-2	5383 850.063	TSC		X				
12-1	1-2	5384 850.067	TMF1.5			X			
12-1	1-2	5385 850.060	TMFP				X		
12-1	1-2	5386 850.064	TMF0.5					X	
12-1	1-2	5387 850.068	TMF2.0						X
12-4	1-3	5355 863.001	<b>Spherical foot</b> 4 pieces	X	X	X	X	X	X
12-4	1-4	5353 861.001	<b>Spherical support</b> 4 pieces	X	X	X	X	X	X
12-1 / 12-3	1-5	5382 850.035	<b>Centering pin</b> 2 pcs., incl. PCB TT-Power	X	X	X	X	X	X

### 12.2.2 Drive

Fig.	Item	Order no. (International)	Description	5382	5383	5384	5385	5386	5387
12-2	2-1	5382 850.108	<b>Motor</b> TMC/TMF	X		X	X	X	X
12-2	2-2	5382 850.205	<b>Stabilizer link</b> set = 2 pieces TMC/TMF	X		X	X	X	X
12-2	2-3	5382 850.302	<b>Imbalance eccentric</b> incl. ball bearing TMC	X					
12-2	2-4	5384 850.300	TMF			X	X	X	X
12-10	2-6	5382 850.400	<b>Locking ring 2 pcs</b> TMC/TMF	X		X	X	X	X

## Ordering information

Eppendorf ThermoMixer C/F0.5/F1.5/F2.0/FP/ThermoStat C  
English (EN)

### 12.2.3 Electronics



In some cases, the software/firmware version of the PCB(s) does not match the current status.

- ▶ After replacing the printed circuit board(s) check the software version and update it, if required.

Fig.	Item	Order no. (International)	Description	5382	5383	5384	5385	5386	5387
12-3	3-1	5382 850.507	<b>PCB Control</b> with display TMC/TSC/TMF	X	X	X	X	X	X
12-3	3-2	5382 850.604	<b>Switched-mode power supply</b> incl. mains input module	X	X	X	X	X	X
12-7	3-3	5383 850.705	<b>PCB temperature control</b> TSC		X				
12-5 / 12-6	3-4	5382 850.701	<b>PCB motor control</b> TMC	X					
12-5 / 12-6	3-4	5384 850.105	TMF			X	X	X	X
12-3	3-5	5382 850.906	<b>USB interface</b> TMC/TSC/TMF	X	X	X	X	X	X
12-1	3-6	5382 851.007	<b>Heating/cooling plate</b> TMC	X					
12-7	3-7	5383 851.000	TSC		X				
12-8	3-8	5384 851.004	<b>Thermoblock</b> TMF1.5			X			
12-9	3-9	5385 851.008	TMFP				X		
(12-8)	3-11	5386 851.001	TMF0.5					X	
(12-8)	3-12	5387 851.005	TMF2.0						X
12-6	3-10	5384 851.209	<b>Adapter for thermoblock</b> TMF			X	X	X	X

### 12.2.4 Fan

Fig.	Item	Order no. (International)	Description	5382	5383	5384	5385	5386	5387
12-2 / 12-4 / 12-5	4-1	5382 851.104	<b>Fan</b> incl. air duct TMC	X					
12-7	4-2	5383 851.108	TSC		X				
12-3	4-3	5382 851.155	<b>Fan</b> for switched-mode power supply TMC/TSC/TMF	X	X	X	X	X	X
12-6	4-4	5384 851.101	<b>Chassis closing</b> TMF			X	X	X	X

### 12.2.5 Accessories/auxiliary aids

Fig.	Item	Order no. (International)	Description	5382	5383	5384	5385	5386	5387
----	5-1	5382 851.406	<b>Packing</b> TMC/TSC/TFM	X	X	X	X	X	X
(12-3)	5-2	5382 851.201	<b>Mounting elements</b> incl. cable TMC/TSC/TFM	X	X	X	X	X	X
----	5-3	0056 000.003	<b>Temperature Verification System USB – Single channel</b> For Mastercycler nexus, Mastercycler pro und Mastercycler ep, Eppendorf ThermoMixer, Eppendorf ThermoStat	X	X	X	X	X	X
----	5-4	0056 002.006	<b>Temperature sensor</b> for Temperature Verification System USB – Single channel 384 Well	X	X	X	X	X	X
----	5-5	5428 850.280	<b>USB software cable</b> USB-A/USB-B	X	X	X	X	X	X

### 12.2.6 SmartBlocks

Fig.	Item	Order no. (International)	Description	5382	5383	5384	5385	5386	5387
----	6-1	5308 000.003	<b>Eppendorf ThermoTop</b> with condens.protect technology	X	X	X	X	X	X
----	6-2	5363 000.233	<b>Lid</b> for Eppendorf ThermoMixer F0.5/F1.5/F2.0/FP for SmartBlocks 0.5 mL, 1.5 mL, 2.0 mL, plates, PCR 96, PCR 384	X	X	X	X	X	X
----	6-3	5361 000.031	<b>SmartBlock 0.5 mL</b> Thermoblock for 24 tubes 0.5 mL	X	X				
----	6-4	5360 000.038	<b>SmartBlock 1.5 mL</b> Thermoblock for 24 tubes 1.5 mL	X	X				
----	6-5	5362 000.035	<b>SmartBlock 2.0 mL</b> Thermoblock for 24 tubes 2.0 mL	X	X				
----	6-6	5309 000.007	<b>SmartBlock 5.0 mL</b> Thermoblock for 8 tubes 5.0 mL	X	X				
----	6-7	5366 000.021	<b>SmartBlock 15 mL</b> Thermoblock for 8 conical tubes 15 mL	X	X				
----	6-8	5365 000.028	<b>SmartBlock 50 mL</b> Thermoblock for 4 conical tubes 50 mL	X	X				
----	6-9	5364 000.024	<b>SmartBlock 12 mm</b> Thermoblock for 24 tubes diameter 11 mm – 11.9 mm, height 34 mm – 76 mm	X	X				

**Ordering information**Eppendorf ThermoMixer C/F0.5/F1.5/F2.0/FP/ThermoStat C  
English (EN)

Fig.	Item	Order no. (International)	Description	5382	5383	5384	5385	5386	5387
----	6-10	5367 000.025	<b>SmartBlock cryo</b> Thermoblock for 24 Cryo tubes 1.5 mL – 2 mL, diameter max. 12,5 mm, all base shapes	X	X				
----	6-11	5363 000.039	<b>SmartBlock plates</b> Thermoblock for microplates and deepwell plates incl. Lid	X	X				
----	6-12	5306 000.006	<b>SmartBlock PCR 96</b> Thermoblock for PCR plates 96 incl. Lid	X	X				
----	6-13	5307 000.000	<b>SmartBlock PCR 384</b> Thermoblock for PCR plates 384 incl. Lid	X	X				
----	6-14	3880 000.151	<b>Transfer Rack 1.5/2.0 mL</b> for 1.5/2.0 mL tubes	X	X	X			X
----	6-15	3880 000.305	<b>Transfer Rack 0.5 mL</b> for 0.5 mL tubes	X	X			X	

**12.3 Spare parts proposals – initial equipment**

Fig.	Item	Order no. (International)	Description	5382	5383	5384	5385	5386	5387
12-2	2-1	5382 850.108	<b>Motor</b> TMC/TMF	X		X	X	X	X
12-3	3-1	5382 850.507	<b>PCB Control</b> with display TMC/TSC/TMF	X	X	X	X	X	X
12-1	3-6	5382 851.007	<b>Heating/cooling plate</b> TMC	X					
12-7	3-7	5383 851.000	TSC		X				
12-8	3-8	5384 851.004	<b>Thermoblock</b> TMF1.5			X			
12-9	3-9	5385 851.008	TMFP				X		
(12-8)	3-11	5386 851.001	TMF0.5					X	
(12-8)	3-12	5387 851.005	TMF2.0						X
(12-3)	5-2	5382 851.201	<b>Mounting elements</b> incl. cable TMC/TSC/TMF	X	X	X	X	X	X